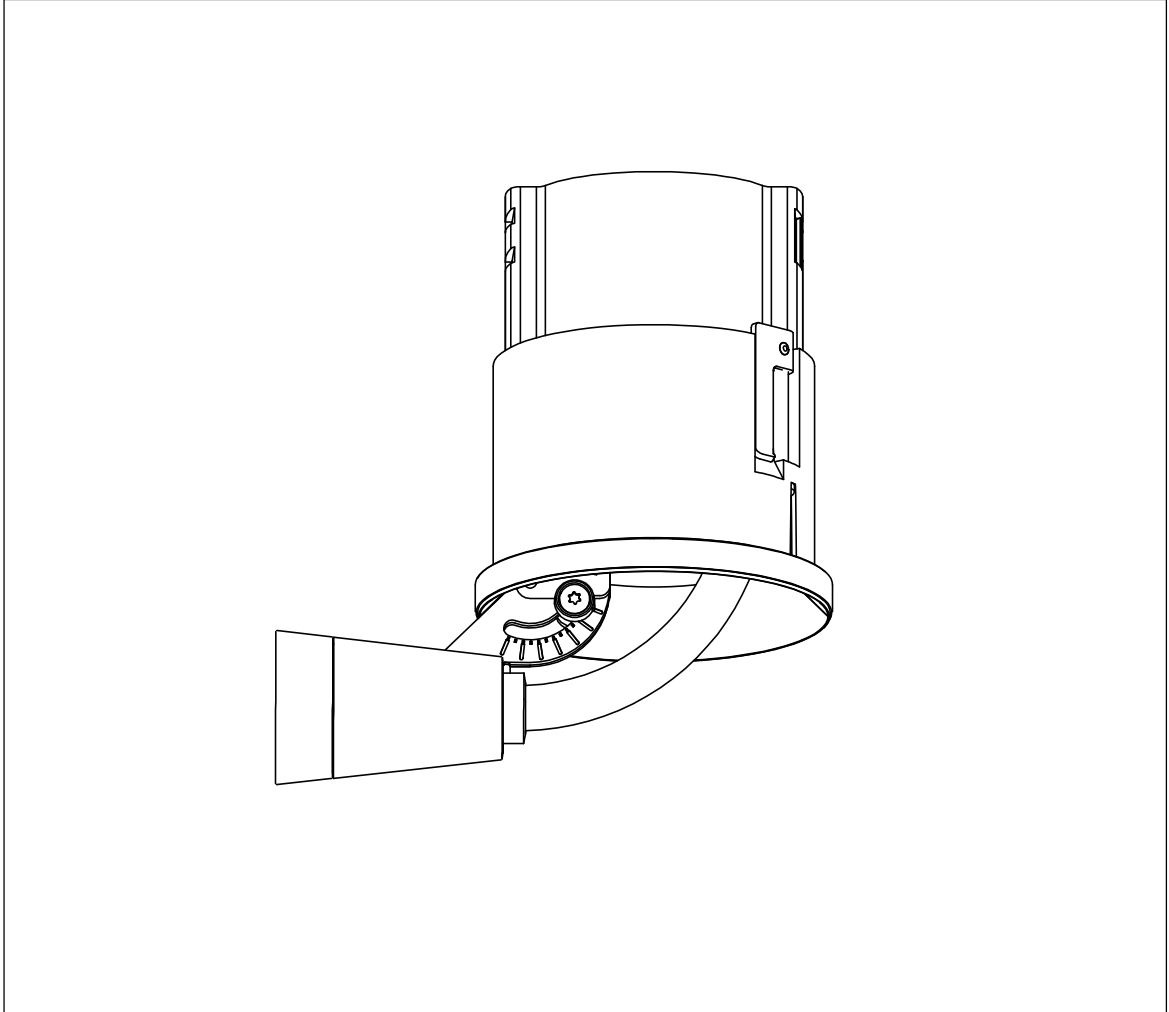


Bebop size 2

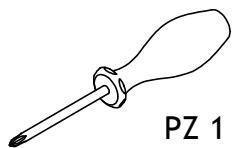
User manual



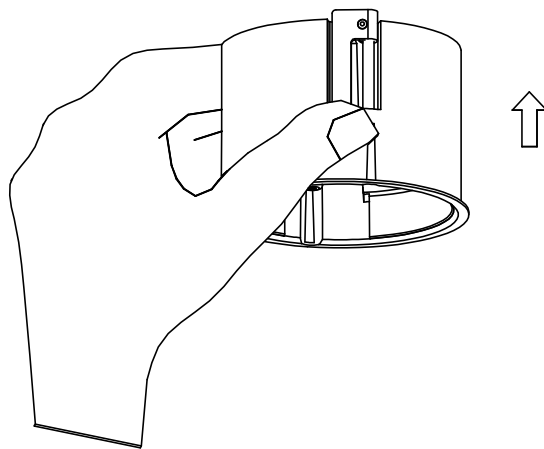
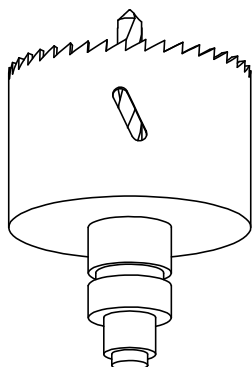
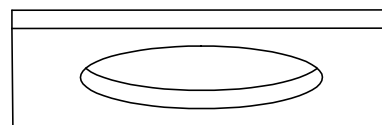
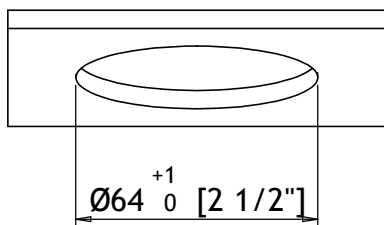
Mounting and installation of the following products:

Item no.:	0334 30xx	Bebop size 2 Wide
	0334 33xx	Bebop size 2 Medium
	0334 35xx	Bebop size 2 Focus

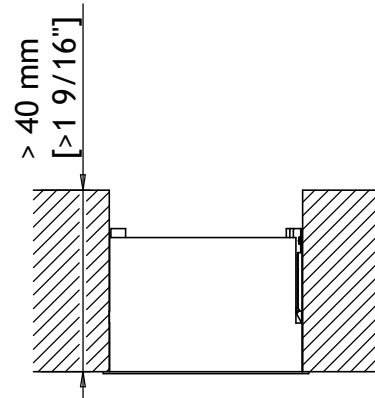
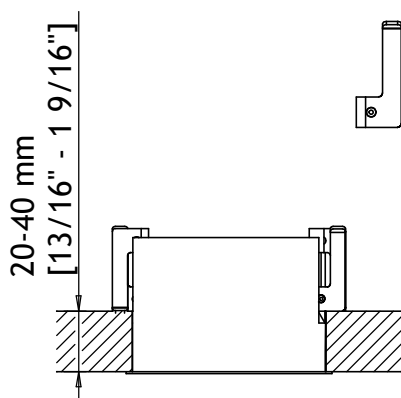
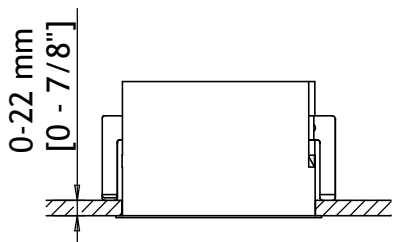
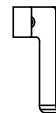
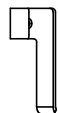
1



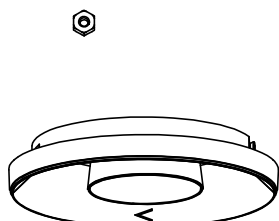
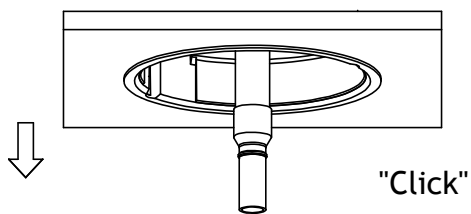
PZ 1



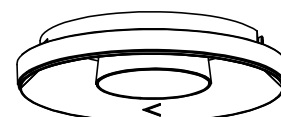
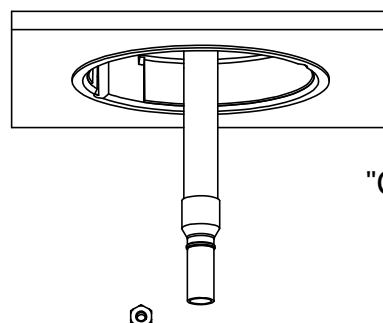
2



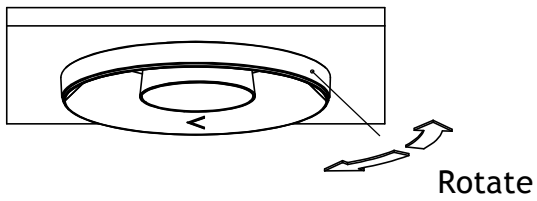
3



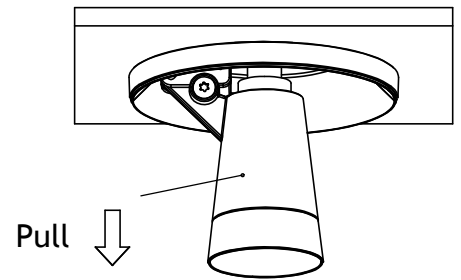
4



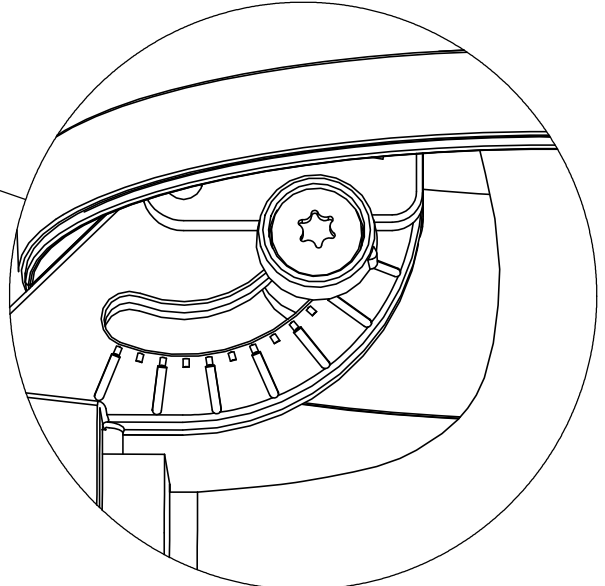
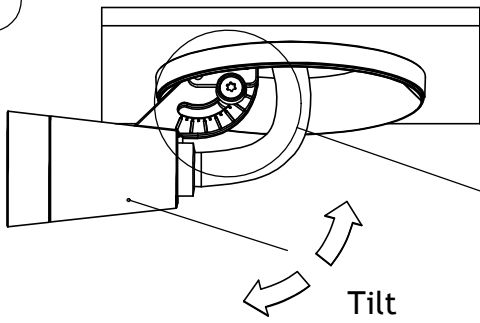
5



6

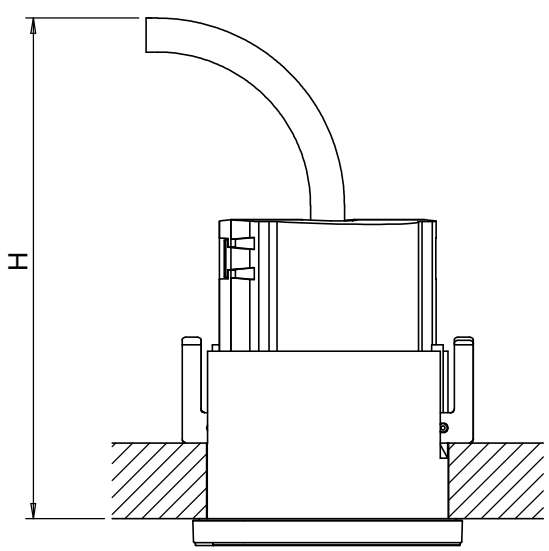
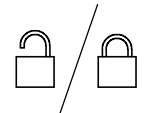
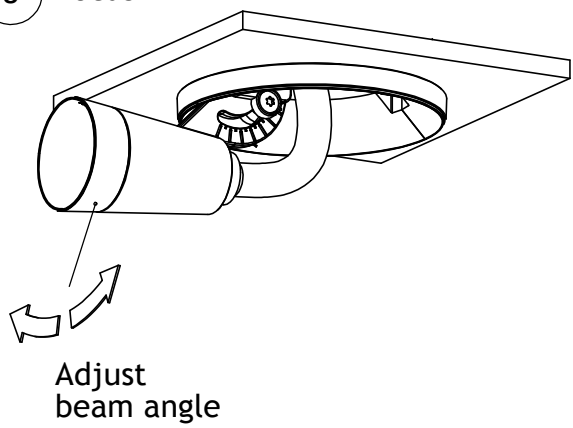


7



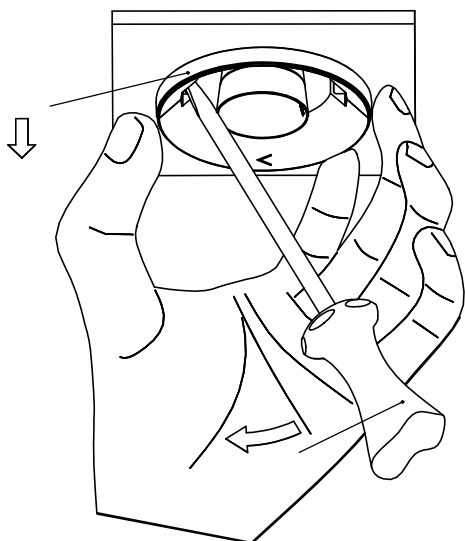
8

Focus

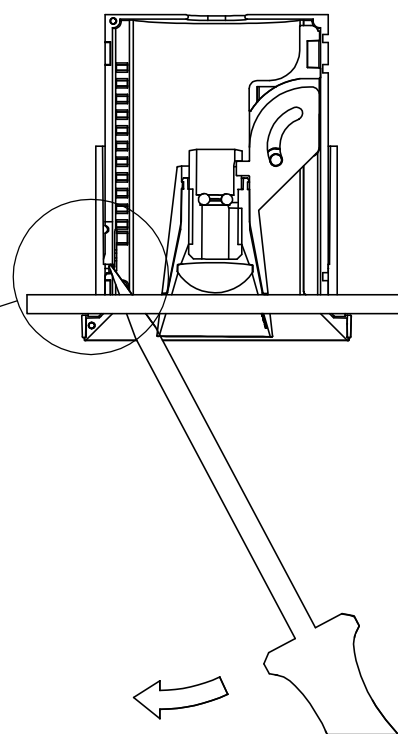
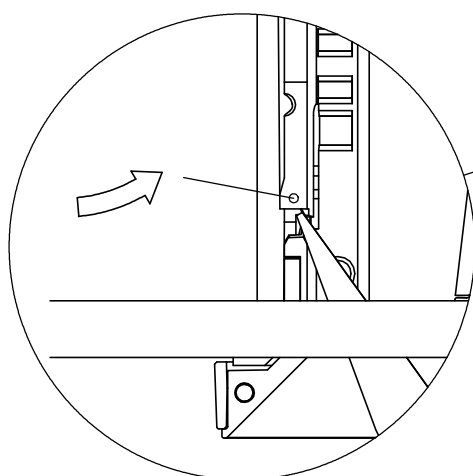
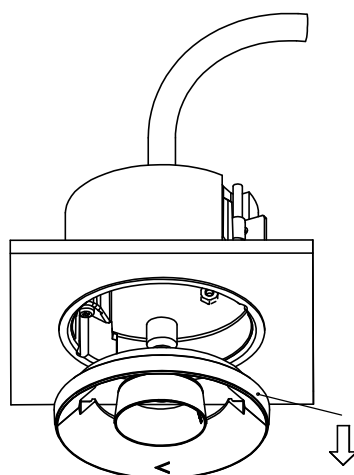
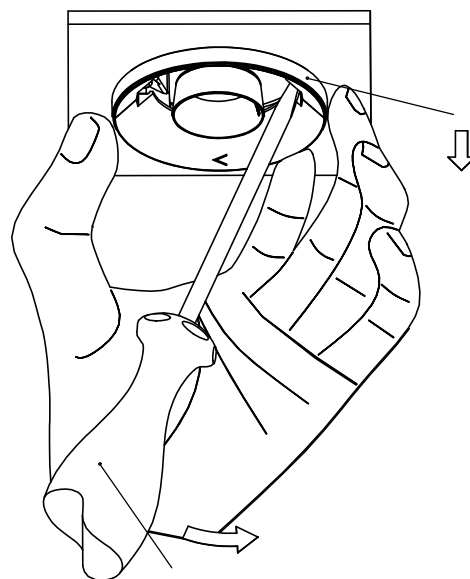


Fibre diameter	H [mm]
2	96
3	105
4.5	117
6	130

Insert and twist screwdriver.
Pull same side downwards.



Insert and twist screwdriver in other side.
Continue pulling downwards.



Roblon accepts no responsibility for possible errors in printed and electronic material. Roblon reserves the right to alter or discontinue products without notice. ©2012, Roblon A/S

RobLight

Roblon Lighting

m: +45 9244 4888

Nordhavnsvej 1A

e: info@rob-light.com

DK-9900 Frederikshavn

w: www.rob-light.com