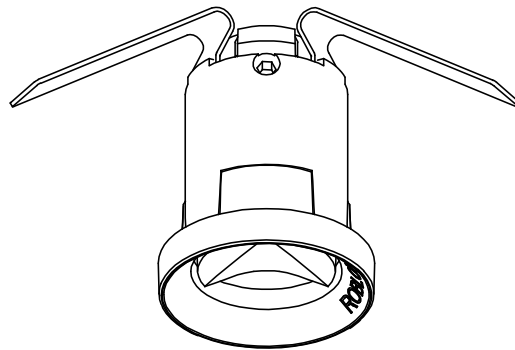


# Note size 2 Asymmetric

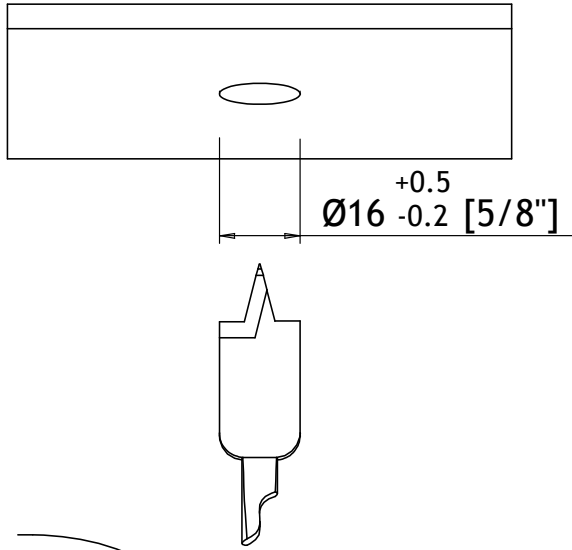
User manual



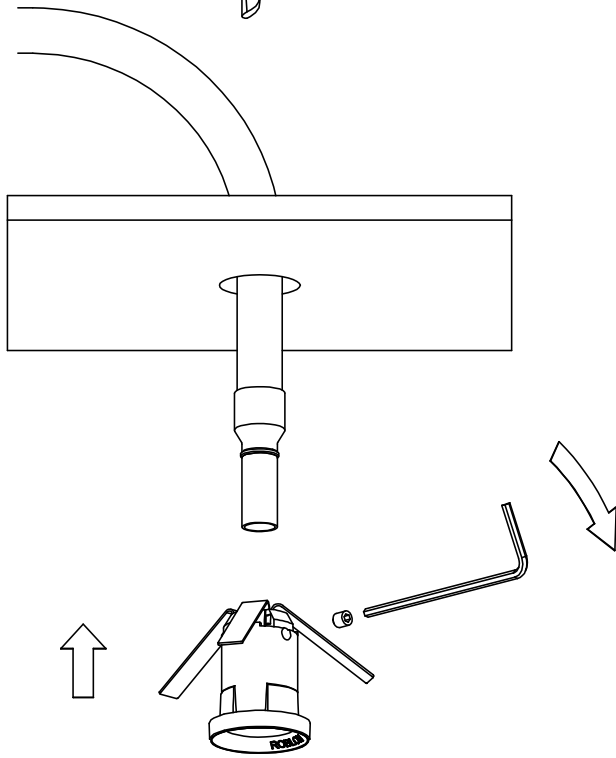
Mounting and installation of the following product:

Item no.: 0336 39\_\_ Note size 2 Asymmetric

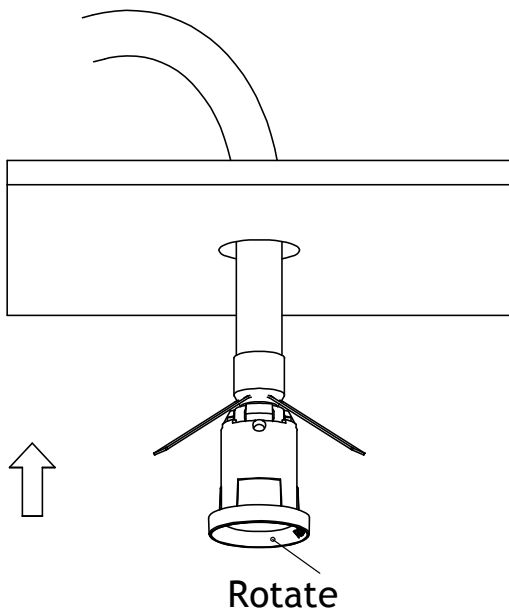
1



2



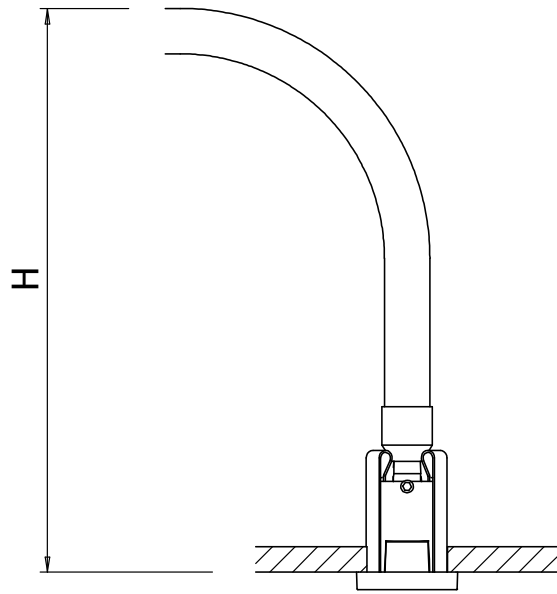
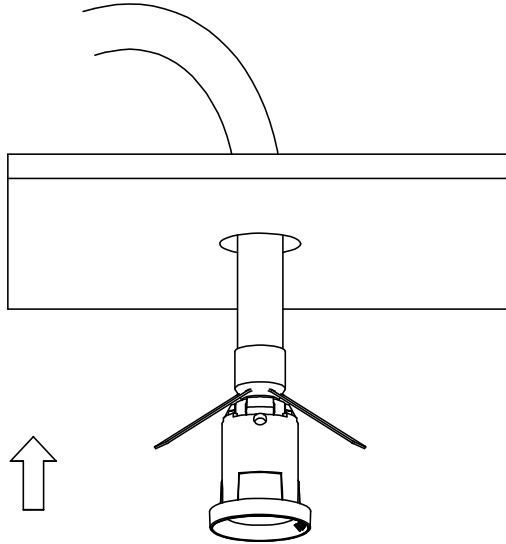
3



↑  
Light direction



4



Fibre diametre	H
2	51
3	60
4.5	73
6	85

Roblon accepts no responsibility for possible errors in printed and electronic material. Roblon reserves the right to alter or discontinue products without notice. © 2012, Roblon A/S.

# RobLight

RobLight A/S  
Nordhavnsvej 1A  
DK- 9900 Frederikshavn  
Tlf: +45 92 444 888  
[info@rob-light.com](mailto:info@rob-light.com)  
[www.Rob-Light.com](http://www.Rob-Light.com)