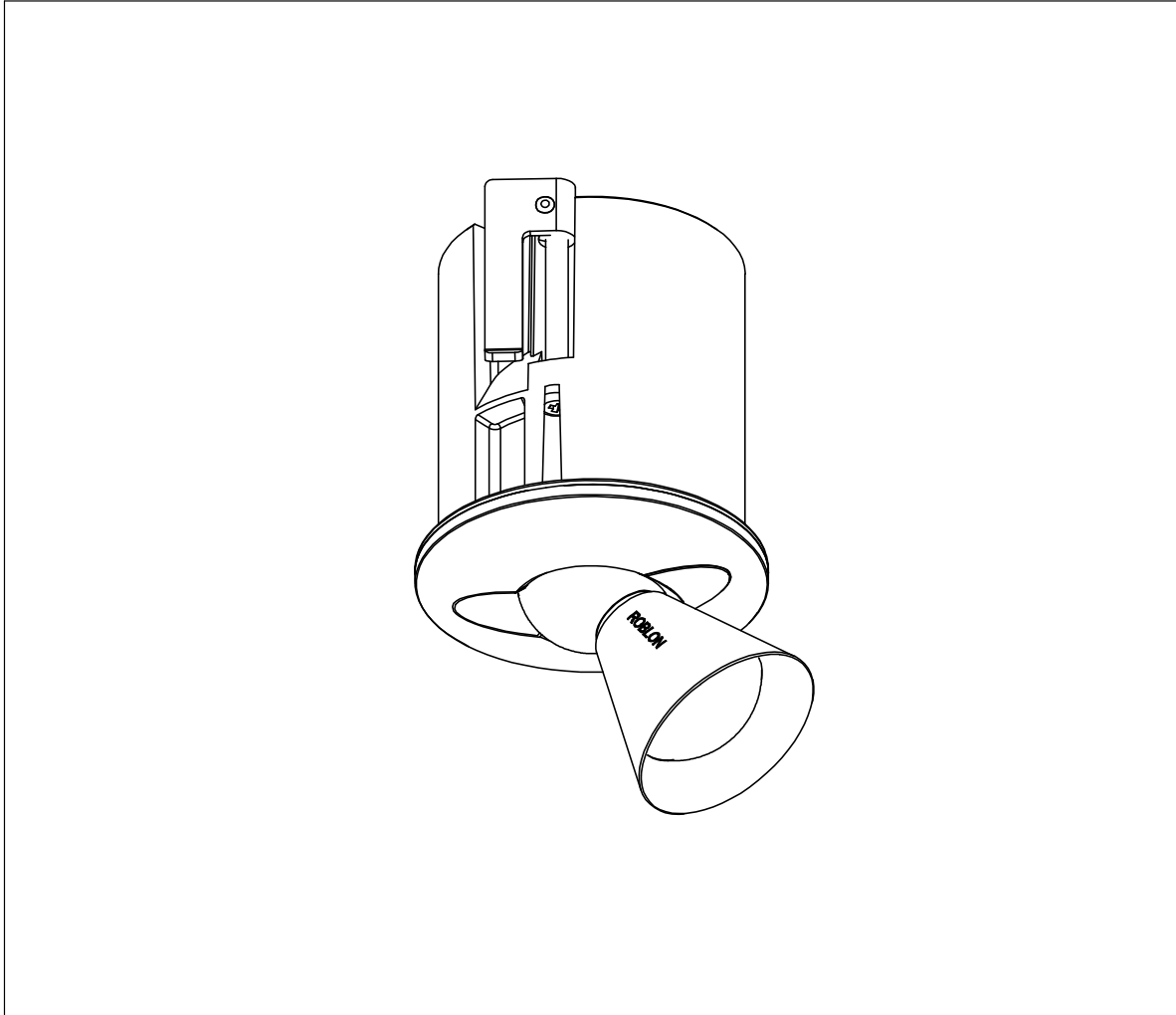


Nova size 3

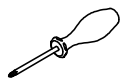
User manual



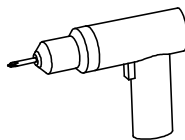
Mounting and installation of the following products:

Item no.: 0330 70__ Nova size 3 Wide
 0330 75__ Nova size 3 Focus

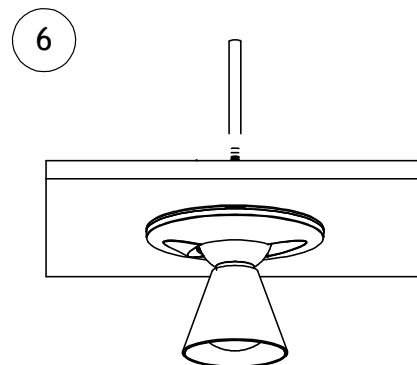
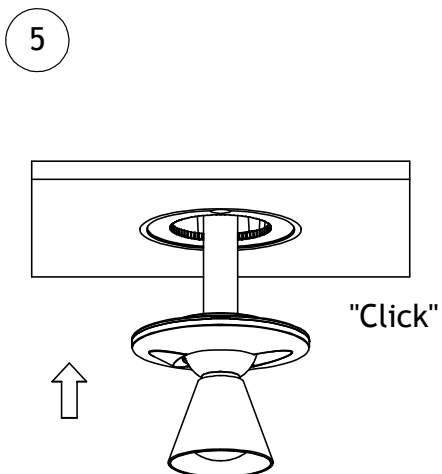
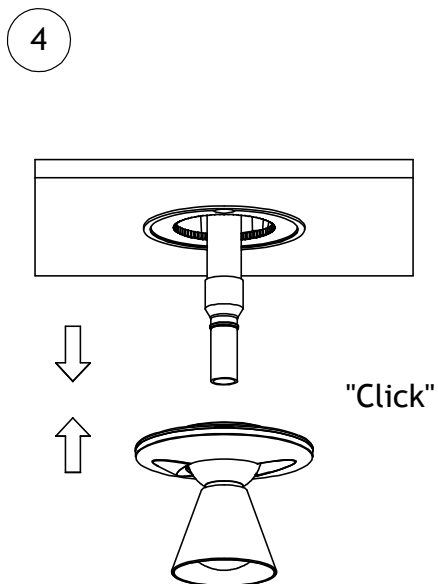
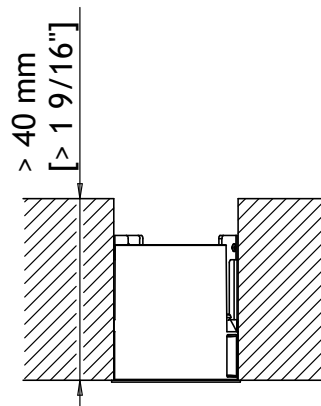
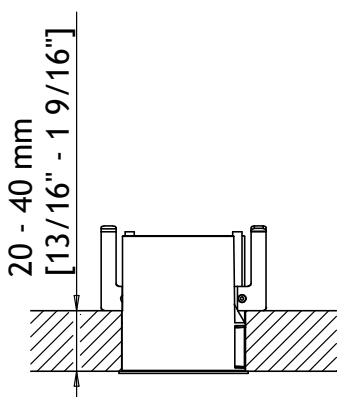
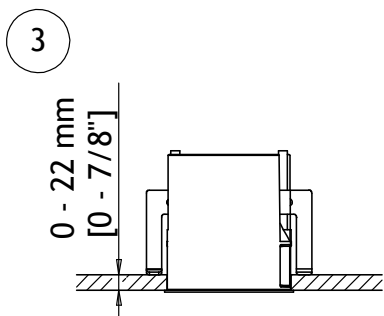
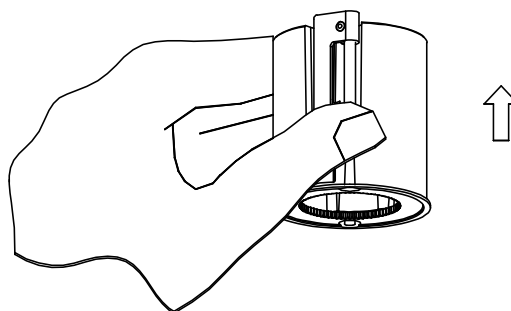
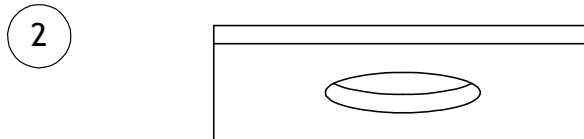
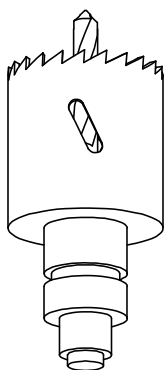
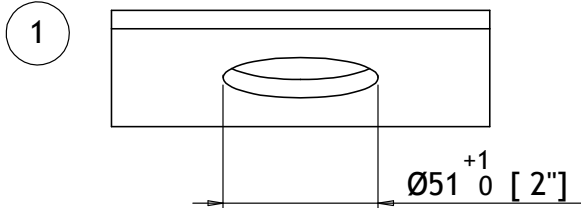
MOUNTING IN CEILING



PZ 1

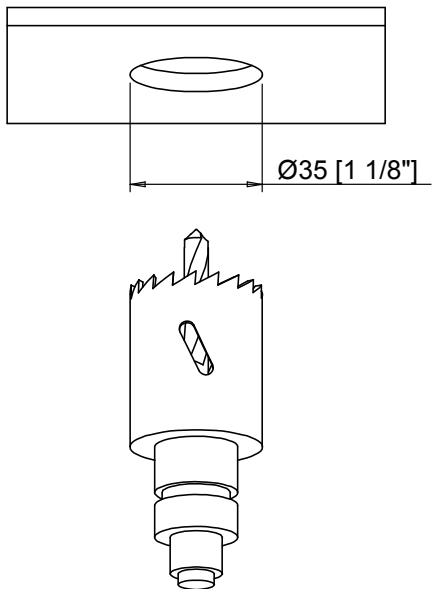


Low speed and low torque!

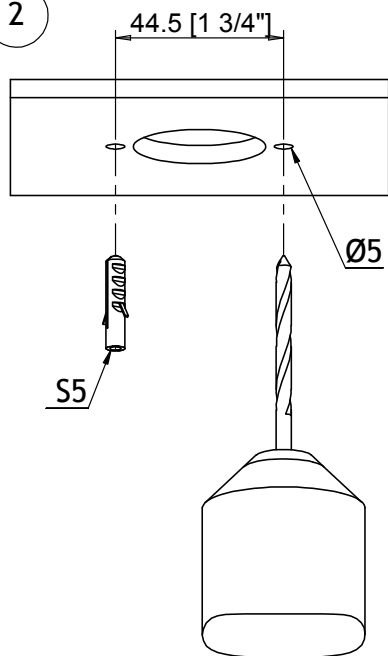


MOUNTING WITH SCREWS

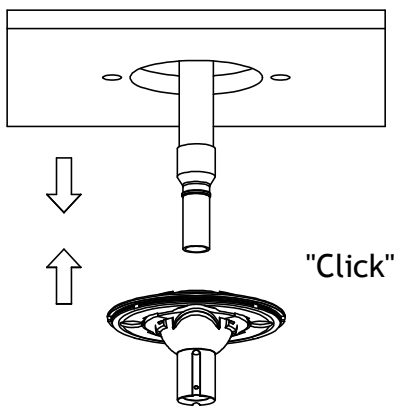
1



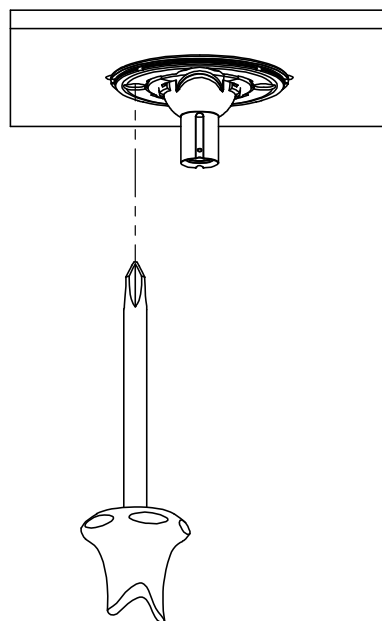
2



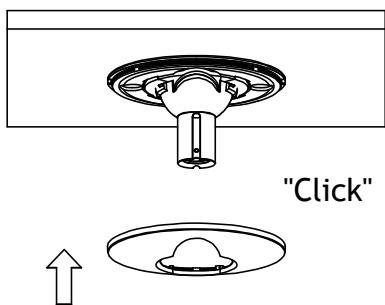
3



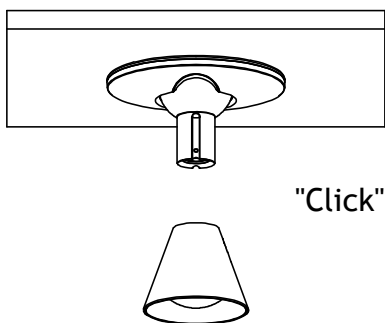
4



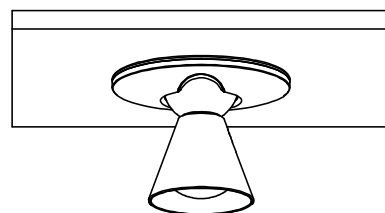
5

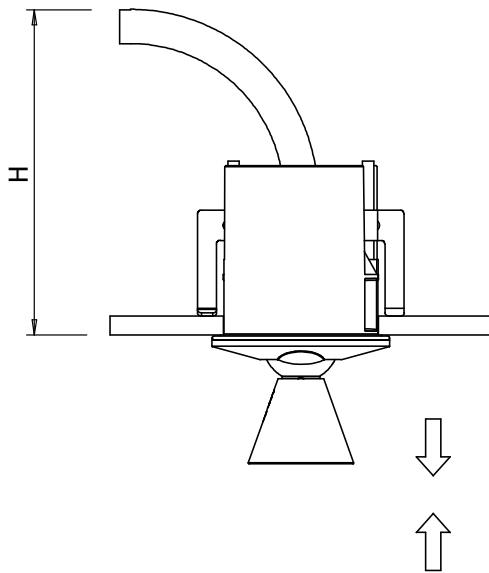
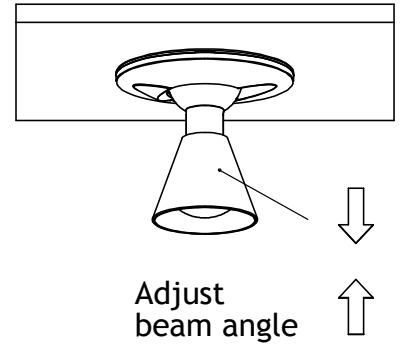
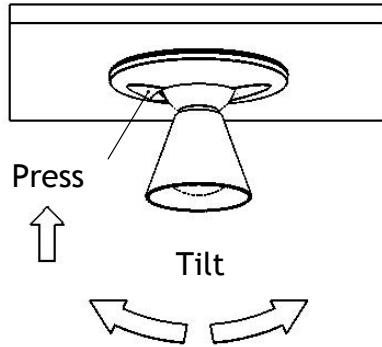
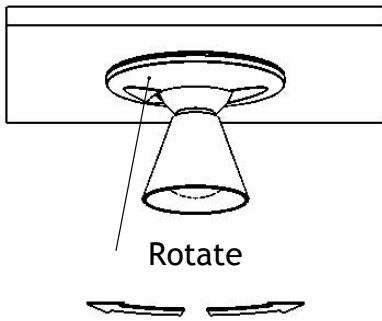


6



7





| Fibre diameter | H [mm] |
|----------------|--------|
| 2 | 62 |
| 3 | 70 |
| 4.5 | 83 |
| 6 | 96 |
| 8 | 109 |
| 10 | 125 |

Roblon accepts no responsibility for possible errors in printed and electronic material. Roblon reserves the right to alter or discontinue products without notice. © 2012, Roblon A/S.

RobLight

RobLight A/S
 Nordhavnsvej 1A
 DK- 9900 Frederikshavn
 Tlf: +45 92 444 888
 info@rob-light.com
 www.Rob-Light.com