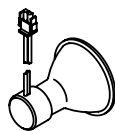
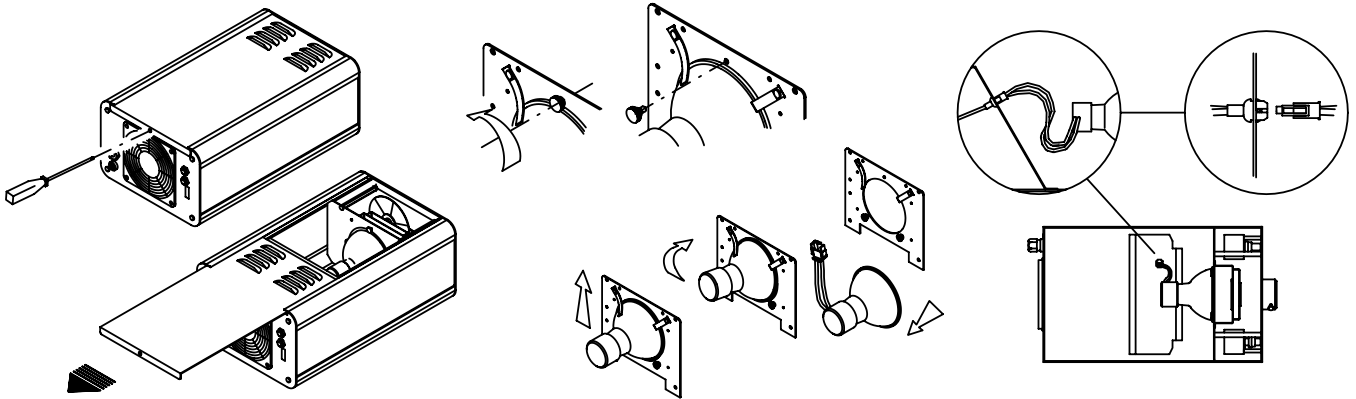
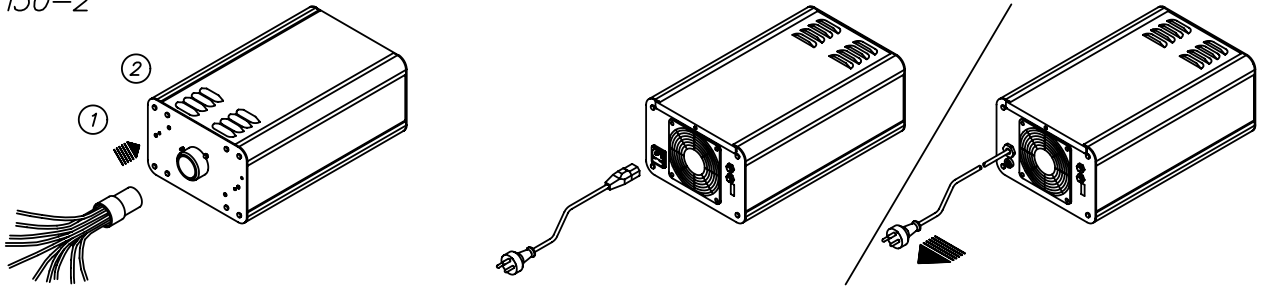


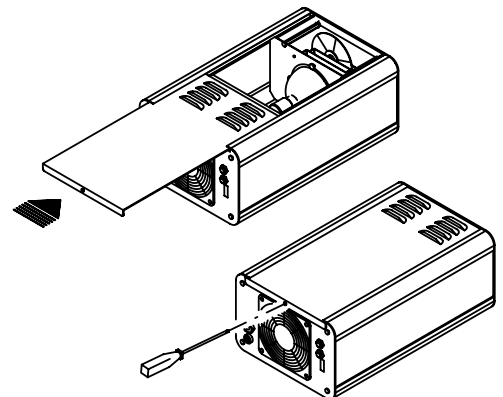
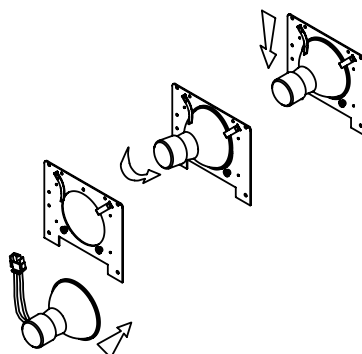
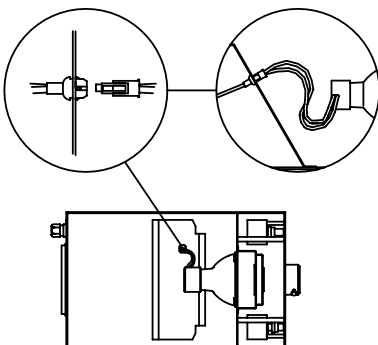
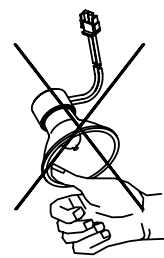
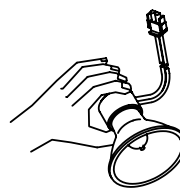
RobLight

9908 2000
29.10.02

FL150-2



PHILLIPS
CDM-SA/R
(150W)
65150005



RobLight

07.08.00

