

# RobLight

## **OPERATING INSTRUCTIONS**

### **FIBER OPTIC LIGHT SOURCES FL 150 – 2 C/ F/ B**

## **Contents:**

Introduction .....	Page 2
Installation .....	Page 2
Operation.....	Page 3
Types of fibre .....	Page 3
Care and maintenance .....	Page 3
Trouble Shooting.....	Page 4
Spare parts list .....	Page 5
Technical data.....	Page 5

## **Introduction:**

Your Rob-Light metal halide light source type FL 150 is intended for use in fibre optic illumination systems.

The Metal halide light sources have been developed to meet the requirements of a fibre optic illumination system, where the light output intensity and efficiency must be optimised to ensure the best performance.

This document describes the following products.

Cat N° 01 6001 48	FL 150 – 2 B. without colour / dimmer wheel.
Cat N° 01 6001 49	FL 150 – 2 F. with motor operated colour wheel.
Cat N° 01 6001 45	FL 150 – 2 C. with DMX controlled colour and dimmer wheel.
Cat N° 01 6001 46	FL 150 – 2 C. with DMX controlled colour wheel
Cat N° 01 6001 47	FL 150 – 2 C. with DMX controlled dimmer wheel

## **Putting into service:**

Unpack the unit, and make sure that the supply voltage is correct.  
120 volt 60 Hz ONLY

Fully insert the fibre bundle connector into the output port of the light source, and secure it with the screw.

Connect the power supply lead into the back of the light source.

Before switching on, ensure that the air supply outlet at the back of the cabinet is clear, and at least 12” away from any obstruction.

### **Switching on:**

When the fibre bundle is secured and the power lead inserted, the unit may be connected to the main power supply and switched ON.

Note that with this type of lamp, about 2 - 5 minutes will elapse from switching on, until the lamp is delivering full light output.

### **Fiber types:**

All Glass and plastic ( PMMA ) optical fibres.

### **Care and maintenance:**

#### Cleaning:

The outer casing may be cleaned with a soft damp cloth.

The air cooling system should be inspected and cleaned if necessary.

#### Lamp replacement:

Before attempting this, make sure that the unit is switched OFF, and disconnected from the main power supply. Let it cool off.

1. Open the top cover. see Fig. 1
2. Disconnect the lamp.
3. Remove the screw at the top of the lamp base and lift the lamp out.
4. Install a new lamp, reversing the above procedure.

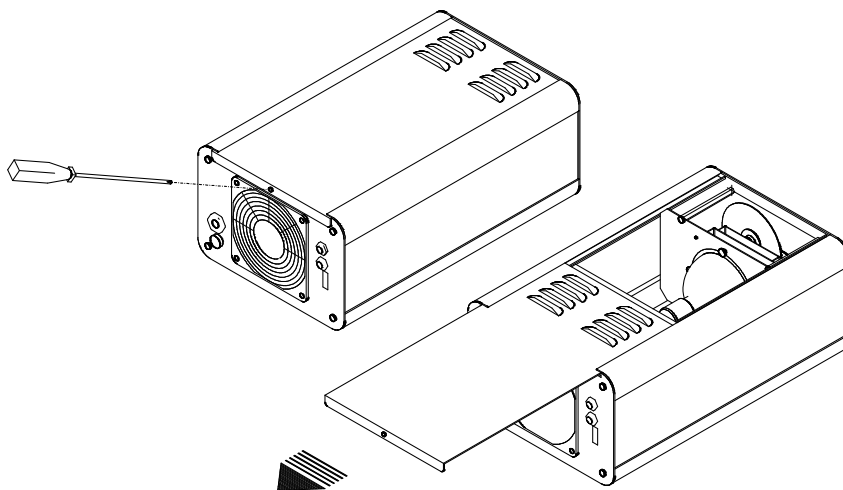


Fig 1.

## **Trouble Shooting:**

**Warning.** Do not work on the exposed interior of this unit with power ON unless it is essential, and then only a properly trained person should undertake the work.

A. The unit will not operate:

1. Make sure the main supply is on.
2. Check that the supply fuse fitted in the power input socket is intact.
3. NOTE that FL 150 – 2 is fitted with a auto resetting temperature cut-out (80° C), placed beside the lamp. See Fig 2 below.

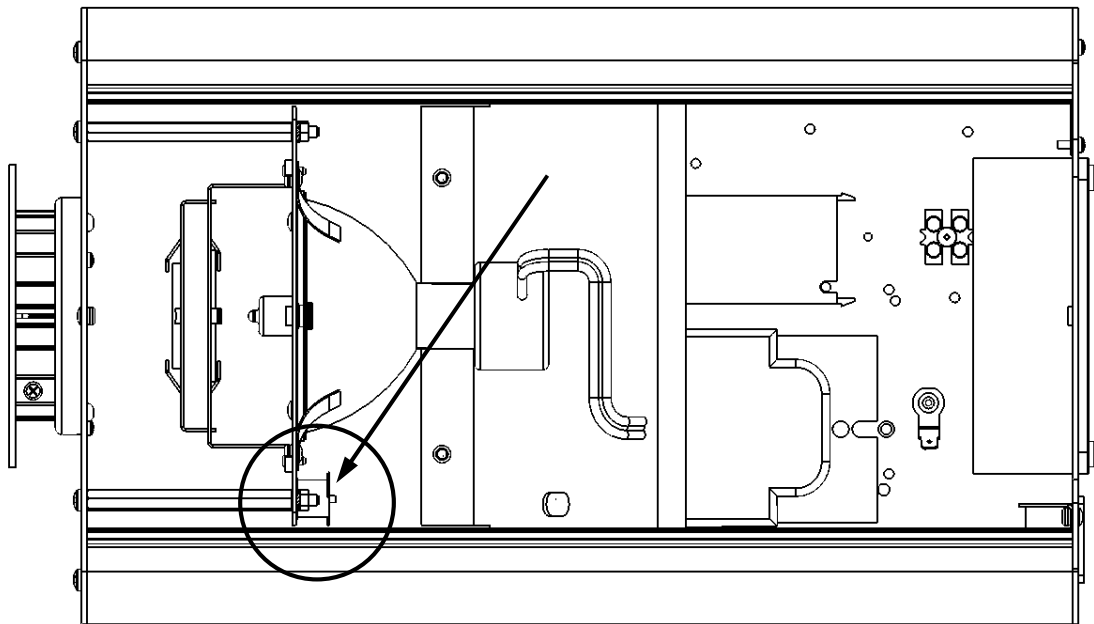


Fig 2.

B. If the unit is on (you can hear the fan) but the lamp does not light up:

1. If the unit is still warm when switching ON from earlier use, it will take 2-3 minutes to cool sufficiently to strike again.
2. Check the lamp connector.
3. If the lamp does not operate, replace it with a new lamp (see Lamp replacement)

C. If the lamp operates but not the fan:

1. Turn the system off **immediately**.
2. Contact your Roblon Fiber Optic representative fore help.

**D. If the light output has diminished:**

1. Make sure that the fibre bundle connector inserted into the light output port is properly and secured.
2. If the lamp has been in use for more than 6000 hours it should be replaced.
3. If the unit has been fully checked and the light output is still not satisfactory, please contact your Roblon Fiber Optic representative.

**Spare parts:**

N° 65150005                      Metalhalide Lamp 150W.

**Technical data:**

Light source lamp:            150 Watt Metalhalide  
Focus diameter of light:    28 mm diameter.  
Cooling:                        Axial fan.

**Manufacturer:**

Roblon Lighting                      m: +45 9244 4888  
Nordhavnsvej 1A                    e: info@rob-light.com  
DK-9900 Frederikshavn            info@rob-light.com  
Denmark                                www.rob-light.com