

RobLight

OPERATING INSTRUCTIONS

FIBER OPTIC LIGHT SOURCES FL 150 – 2 C/ F/ B

Contents:

Introduction	Page 2
Installation	Page 2
Operation.....	Page 3
Types of fibre	Page 3
Care and maintenance	Page 3
Trouble Shooting.....	Page 4
Spare parts list	Page 5
Technical data.....	Page 5

Introduction:

Your RobLight metal halide light source type FL 150 is intended for use in fibre optic illumination systems.

The Metal halide light sources have been developed to meet the requirements of a fibre optic illumination system, where the light output intensity and efficiency must be optimised to ensure the best performance.

This document describes the following products.

Cat N° 01 6001 43	FL 150 – 2 B. without colour / dimmer wheel.
Cat N° 01 6001 44	FL 150 – 2 F. with motor operated colour wheel.
Cat N° 01 6001 40	FL 150 – 2 C. with DMX controlled colour and dimmer wheel.
Cat N° 01 6001 41	FL 150 – 2 C. with DMX controlled colour wheel
Cat N° 01 6001 42	FL 150 – 2 C. with DMX controlled dimmer wheel

Putting into service:

Unpack the unit, and make sure that the supply voltage is correct.
230 volt 50 Hz ONLY

Fully insert the fibre bundle connector into the output port of the light source, and secure it with the screw.

Connect the power supply lead into the back of the light source.

Before switching on, ensure that the air supply outlet at the back of the cabinet is clear, and at least 30 cm away from any obstruction.

Switching on:

When the fibre bundle is secured and the power lead inserted, the unit may be connected to the main power supply and switched ON.

Note that with this type of lamp, about 2 - 5 minutes will elapse from switching on, until the lamp is delivering full light output.

Fiber types:

All Glass and plastic (PMMA) optical fibres.

Care and maintenance:

Cleaning:

The outer casing may be cleaned with a soft damp cloth.

The air cooling system should be inspected and cleaned if necessary.

Lamp replacement:

Before attempting this, make sure that the unit is switched OFF, and disconnected from the main power supply. Let it cool off.

1. Open the top cover. see Fig. 1
2. Disconnect the lamp.
3. Remove the screw at the top of the lamp base and lift the lamp out.
4. Install a new lamp, reversing the above procedure.

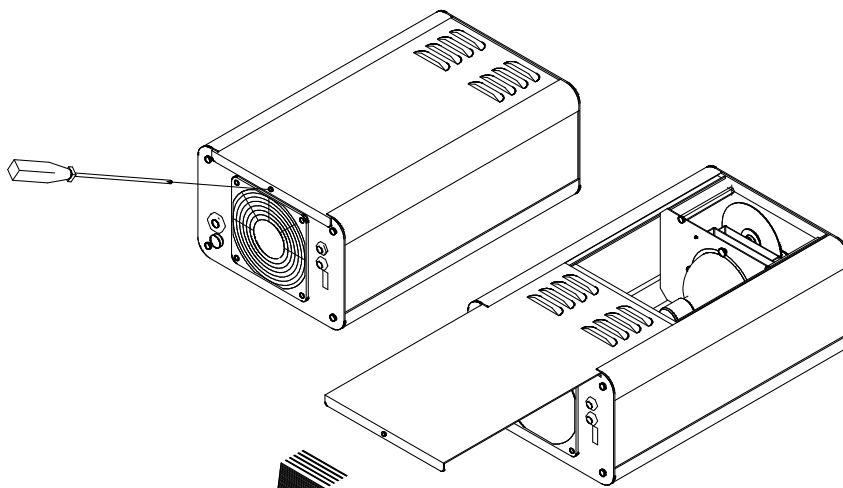


Fig 1.

Trouble Shooting:

Warning. Do not work on the exposed interior of this unit with power ON unless it is essential, and then only a properly trained person should undertake the work.

A. The unit will not operate:

1. Make sure the main supply is on.
2. Check that the supply fuse fitted in the power input socket is intact.
3. **NOTE** that FL 150 – 2 is fitted with a manual reset temperature cut-out (80° C), placed beside the lamp. See Fig 2 below.

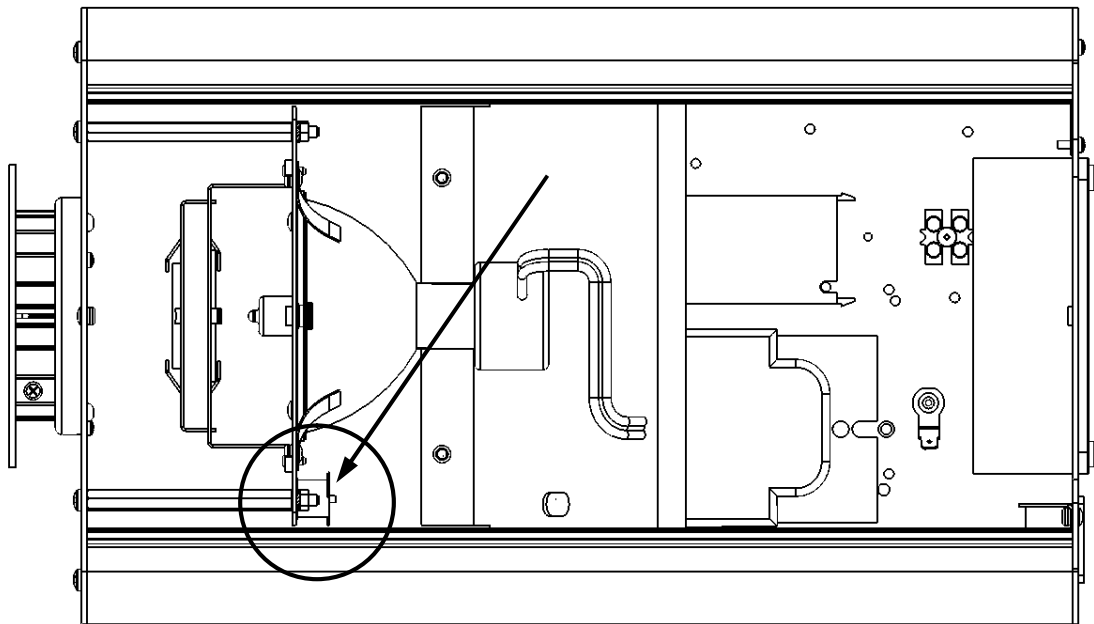


Fig 2.

B. If the unit is on (you can hear the fan) but the lamp does not light up:

1. If the unit is still warm when switching ON from earlier use, it will take 2-3 minutes to cool sufficiently to strike again.
2. Check the lamp connector.
3. If the lamp does not operate. replace it with a new lamp (see Lamp replacement)

C. If the lamp operates but not the fan:

1. Turn the system off **immediately**.
2. Contact your Roblon Fiber Optic representative fore help.

D. If the light output has diminished:

1. Make sure that the fibre bundle connector inserted into the light output port is properly and secured.
2. If the lamp has been in use for more than 6000 hours it should be replaced.
3. If the unit has been fully checked and the light output is still not satisfactory, please contact your Roblon Fiber Optic representative.

Spare parts:

N° 65150005 Metalhalide Lamp 150W.

Technical data:

Light source lamp: 150 Watt Metalhalide
Focus diameter of light: 28 mm diameter.
Cooling: Axial fan.

Manufacturer:

RobLight m: +45 9244 4888
Nordhavnsvej 1A e: info@rob-light.com
DK-9900 Frederikshavn www@rob-light.com
Denmark