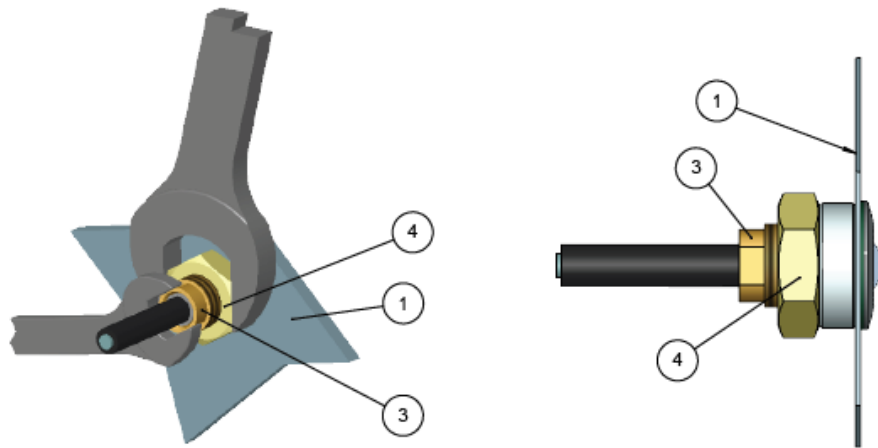
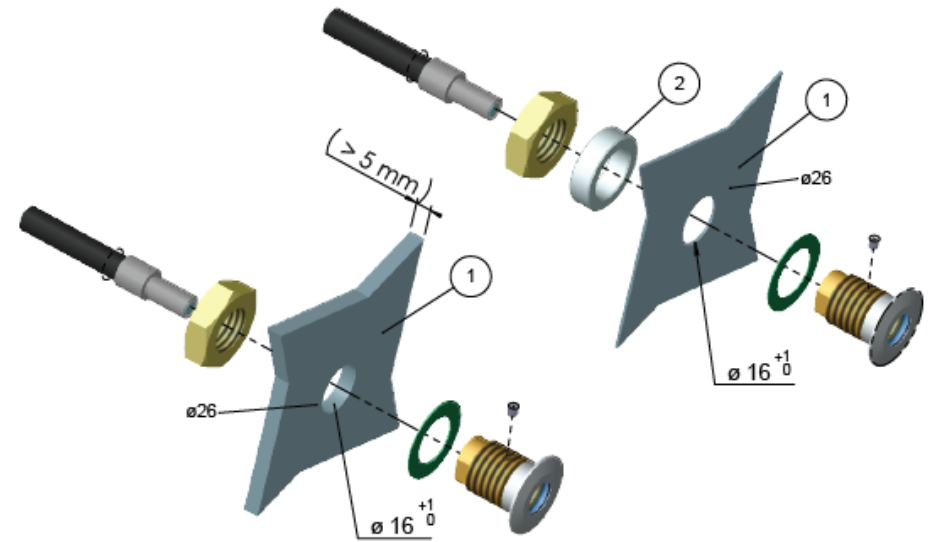


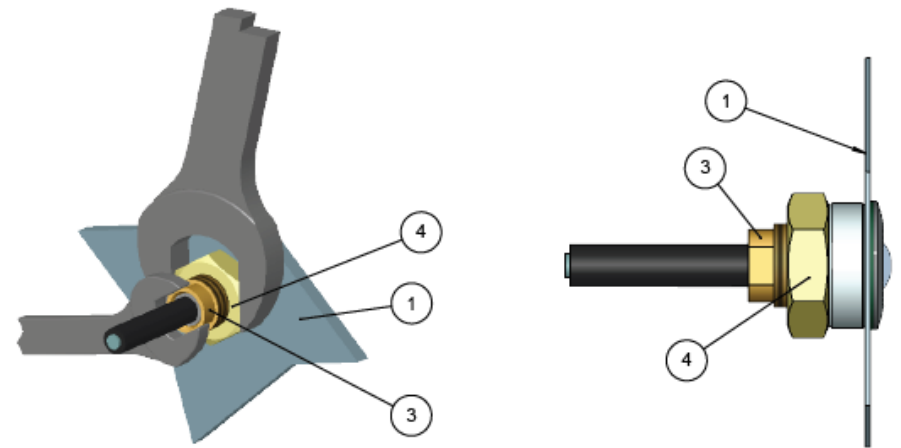
Guide the fibre through the hole and fasten it in the fitting by means of the set screw.
Around the hole an area of $\varnothing 26$ mm must be completely plane.
If this is not the case, joint with silicone.
The space washer, pos. 2, is only to be used when the wall, pos. 1, is ≤ 5 mm.



Assemble the fitting, pos. 3, and the nut, pos. 4, lightly by hand.
Hold the fitting by means of a 14 mm wrench while tightening the nut by means of a 24 mm wrench.



Guide the fibre through the hole and fasten it in the fitting by means of the set screw.
Around the hole an area of $\varnothing 26$ mm must be completely plane.
If this is not the case, joint with silicone.
The space washer, pos. 2, is only to be used when the wall, pos. 1, is ≤ 5 mm.



Assemble the fitting, pos. 3, and the nut, pos. 4, lightly by hand.
Hold the fitting by means of a 14 mm wrench while tightening the nut by means of a 24 mm wrench.