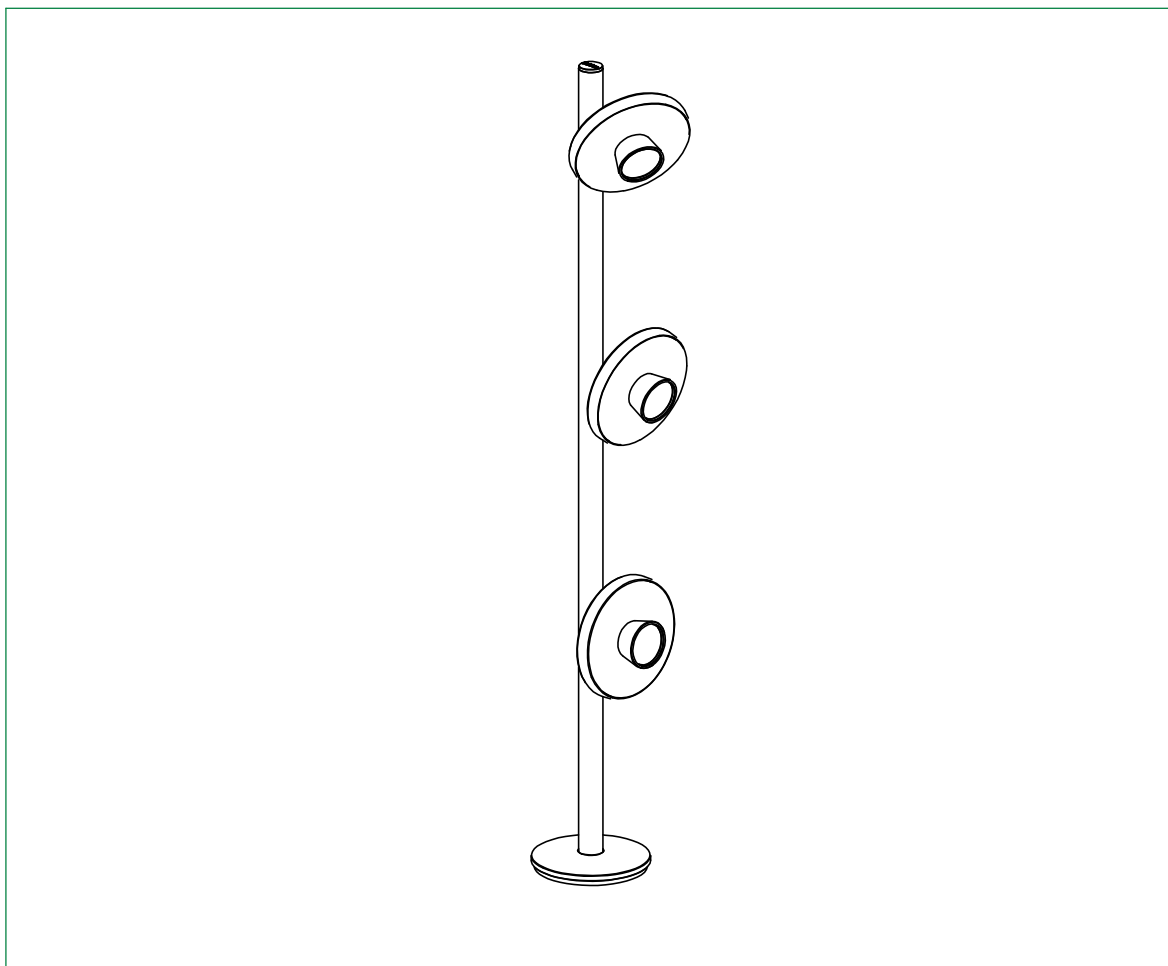


# Libra 1, 2 and 3 Libra 1, 2 and 3 custom

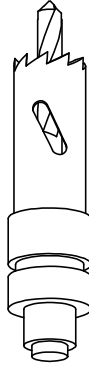
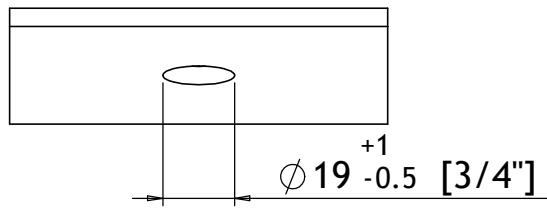
User manual



Mounting and installation of the following products.:

Item no.: +1127 xxxx  
          +1123 xxxx custom

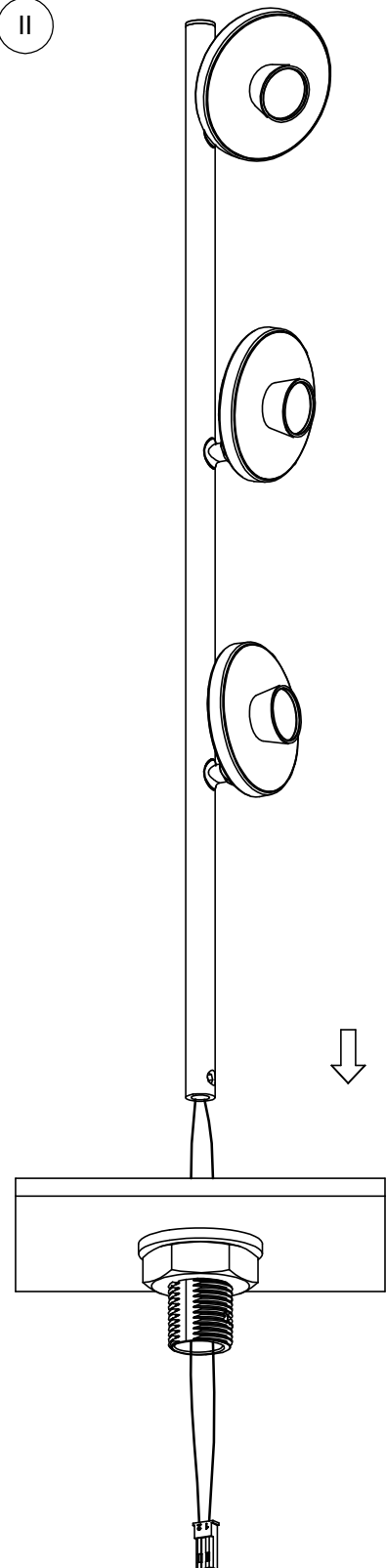
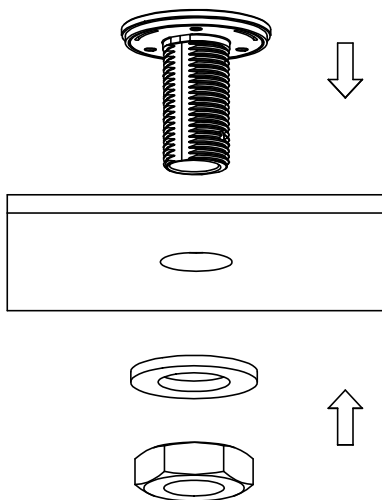
# 1. Drill



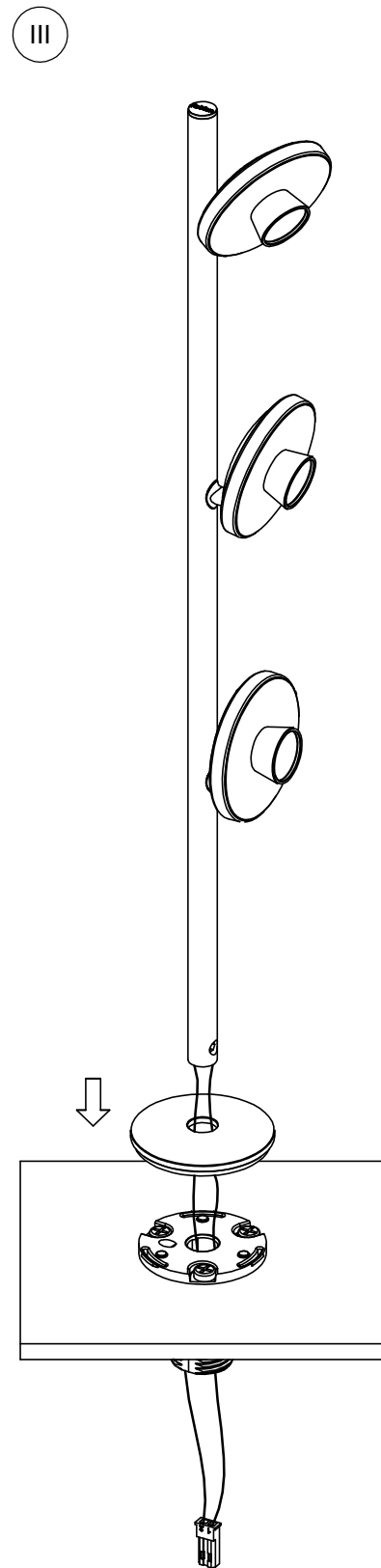
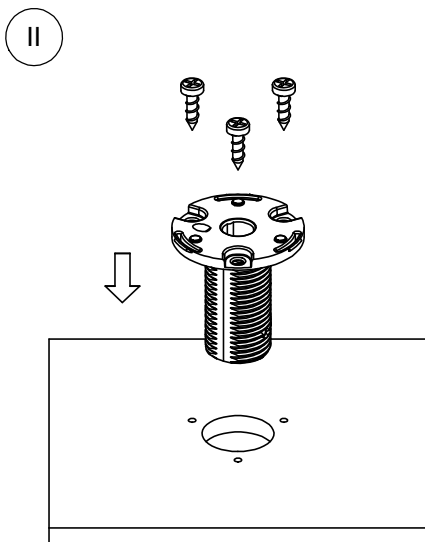
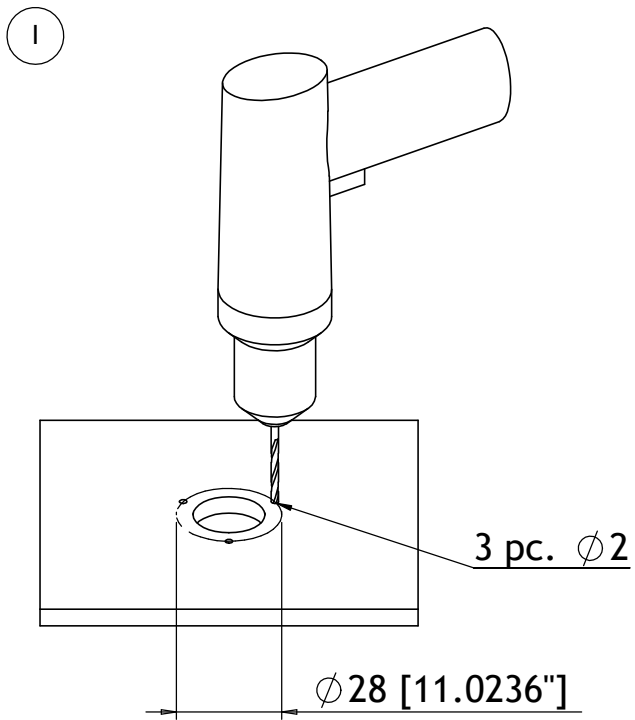
II

# 2a. Install with nut

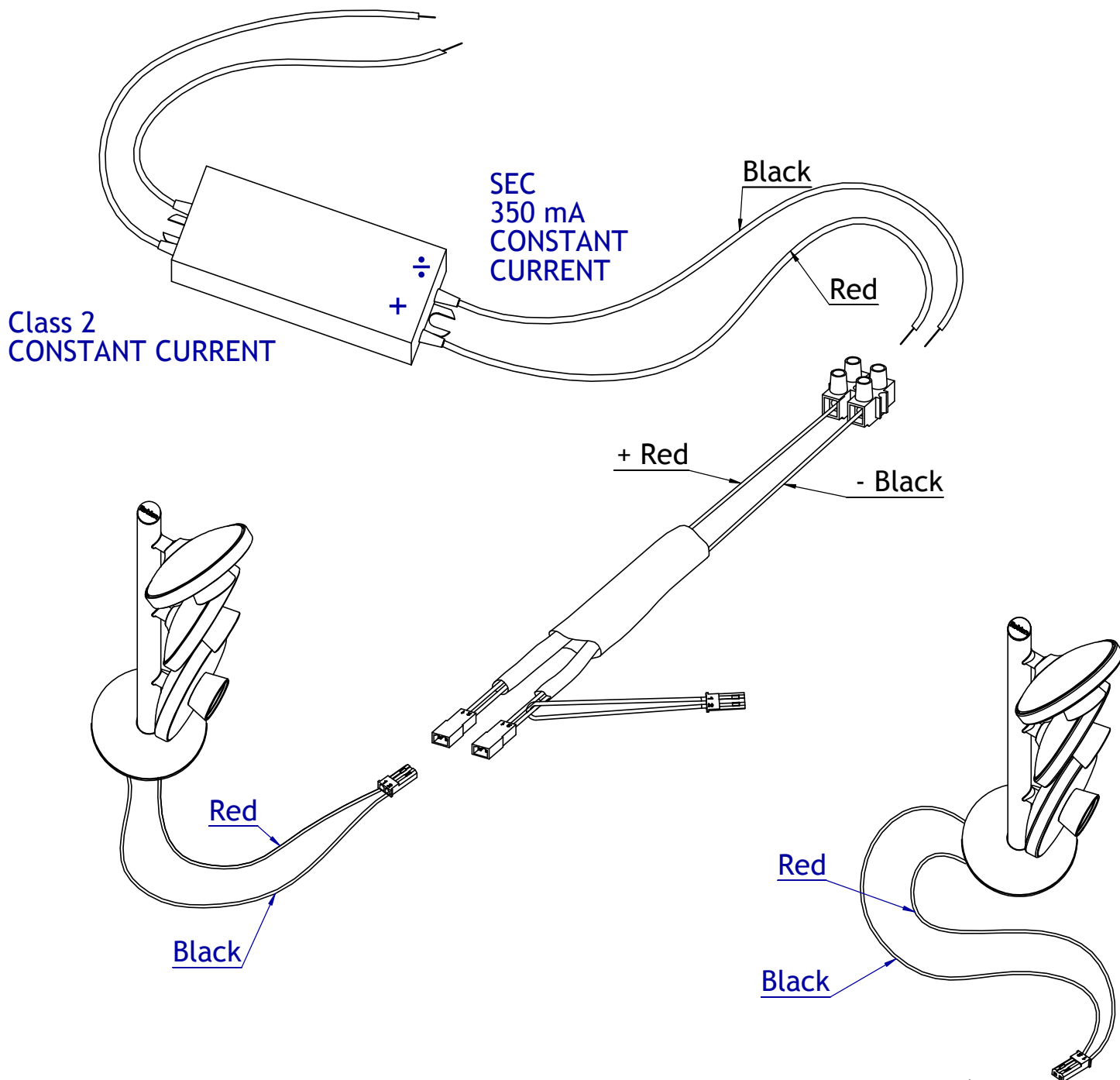
I



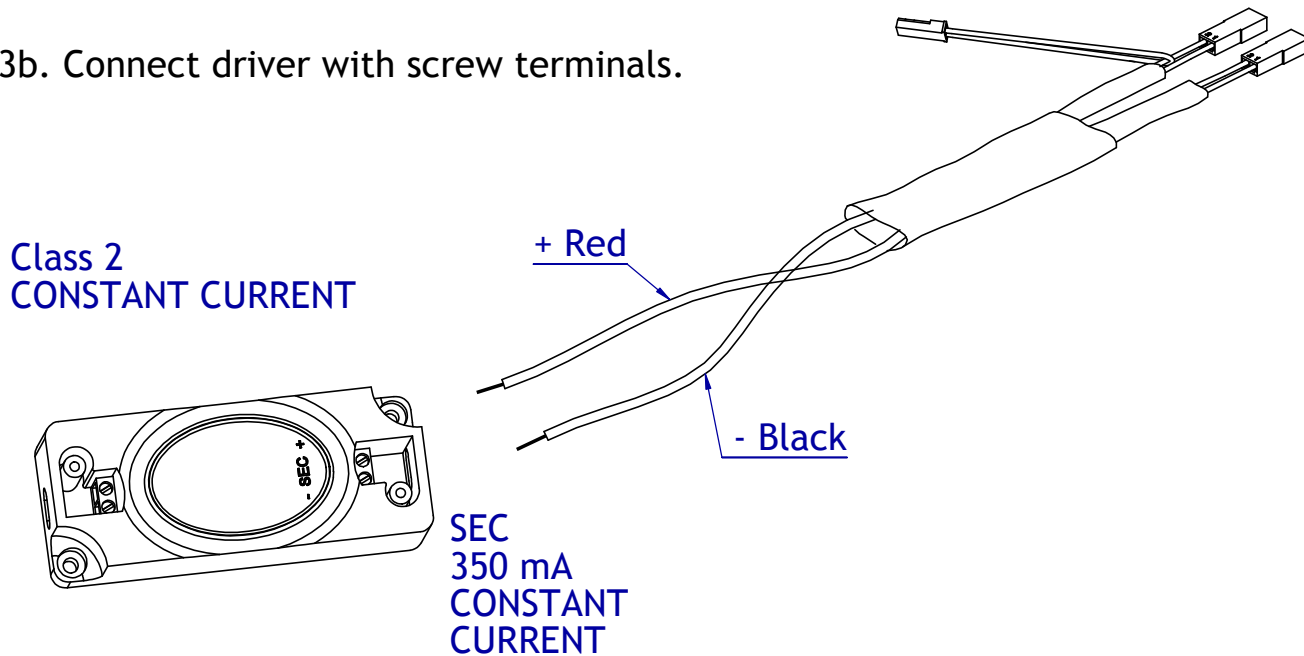
## 2b. Install with screws from front



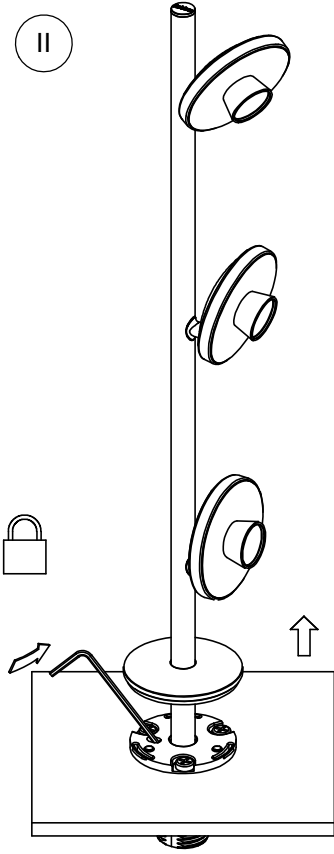
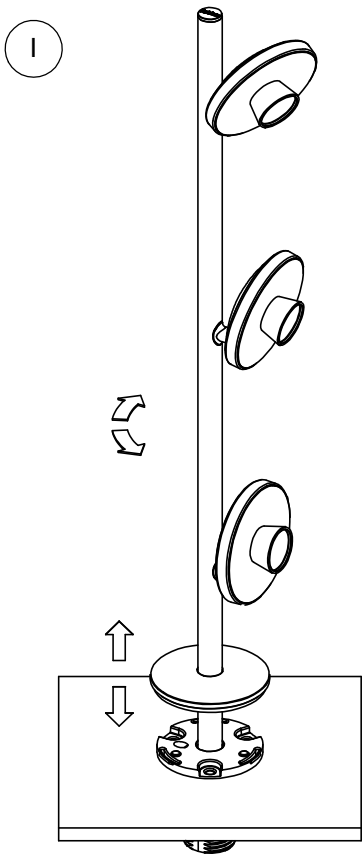
3a. Connect driver with fixed wires.



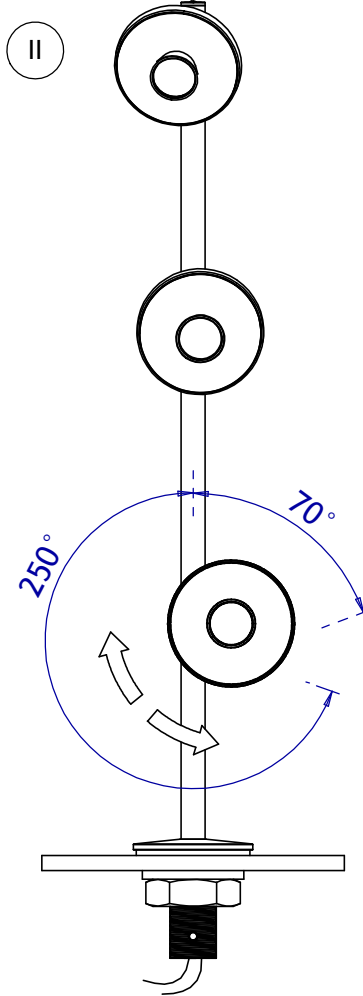
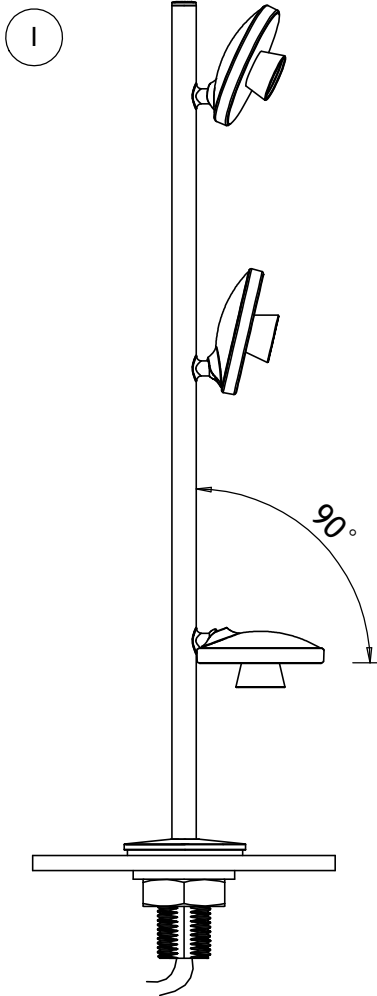
3b. Connect driver with screw terminals.



4. Adjust height and main direction

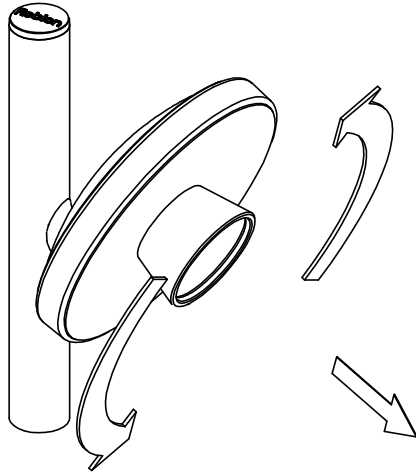


5. Adjust heads

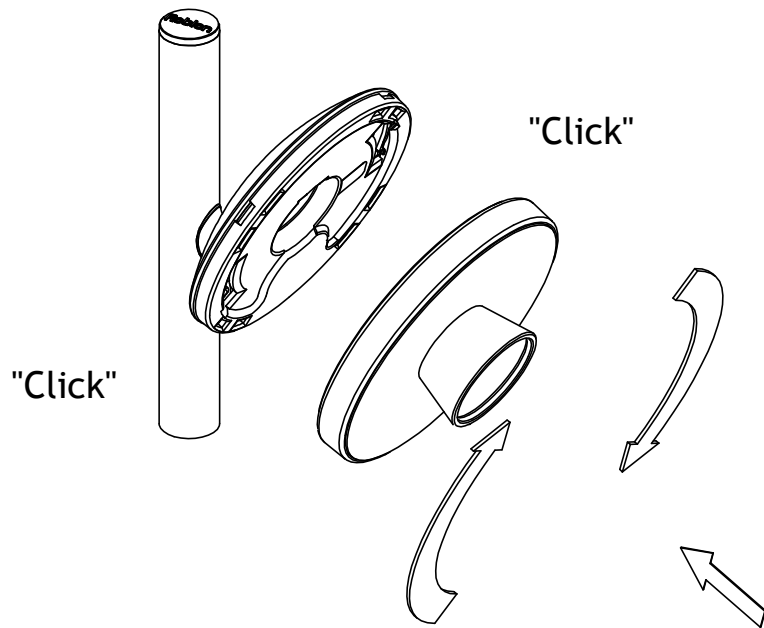


# Change reflector

I



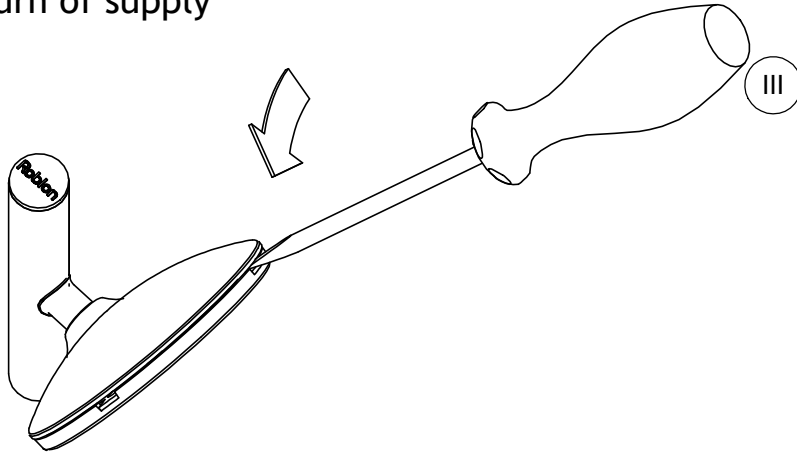
II



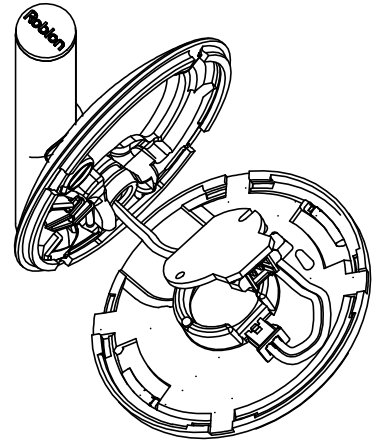
# Replace PCB

I Turn of supply

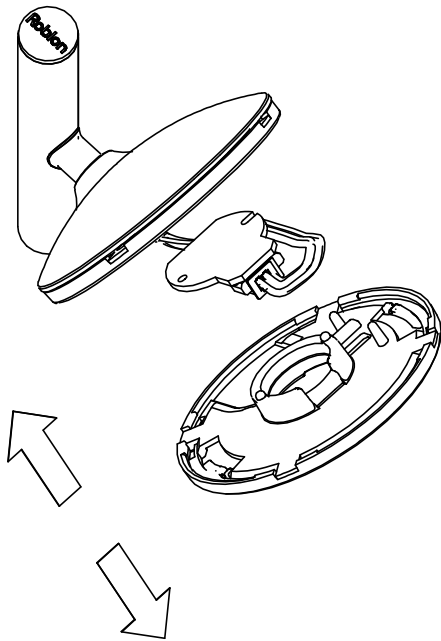
II



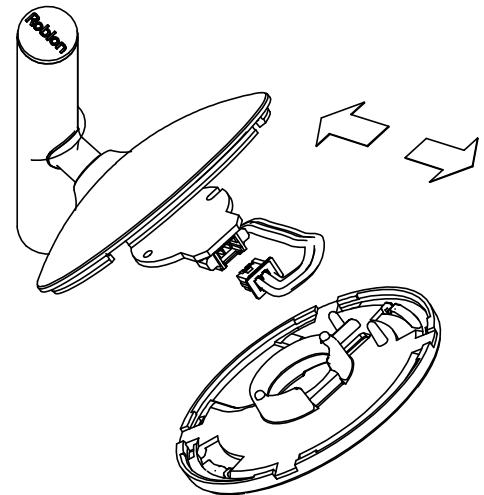
III



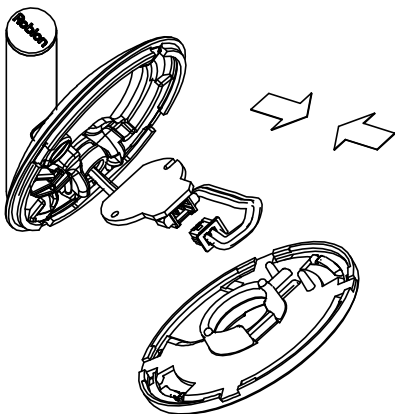
IV



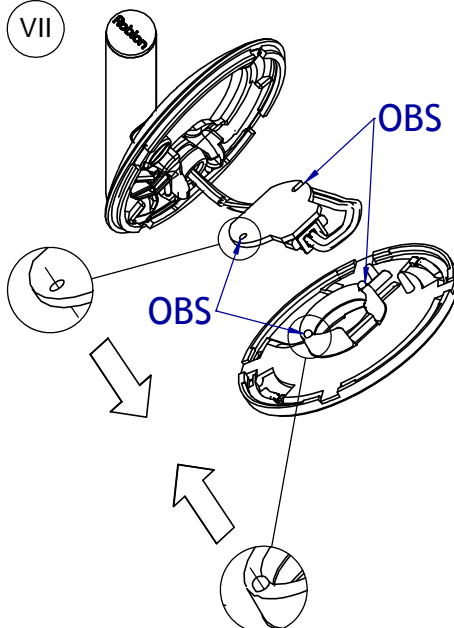
V



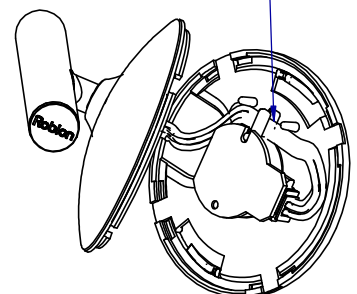
VI



VII



VIII



Attention!  
The wires  
must be  
placed  
correctly .

## Maintenance

### Cleaning

Only use a dry cloth to clean. Avoid exposing the LED to any liquid or solvent, as this may reduce LED lifetime.

### Operating

There must be a sufficient air gap around the fixture and driver. Keep air and other vents free from obstruction at all times.

### Service

PCB is replaceable on site. Instruction is included here and it is also delivered with spare part PCB

Because LED modules can be changed, a different CCT can always be ordered and installed if requirements change.

### Consistency

Every luminaire has a unique Roblon identification number that registers the initial flux and colour bin. This ensures that a new LED module ordered as a spare part will perform consistently.

Roblon accepts no responsibility for possible errors in printed and electronic material. Roblon reserves the right to alter or discontinue products without notice. © 2012, Roblon A/S.

# Roblon

Roblon Lighting  
Nordhavnsvej 1  
9900 Frederikshavn  
Denmark

Tel: +45 9620 3366  
Fax: +45 9620 3396  
info@roblon.com  
www.roblon.com