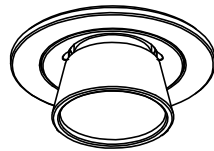


# Pyxis 1n

User manual



Mounting and installation of the following products.:

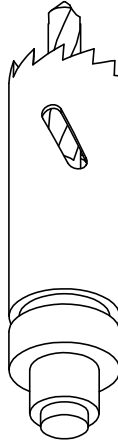
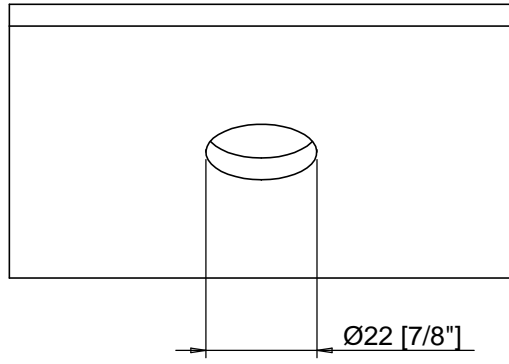
Item no.: +1133 xxxx

+99082069

25/3-2010

**Roblon**

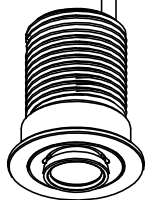
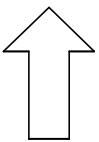
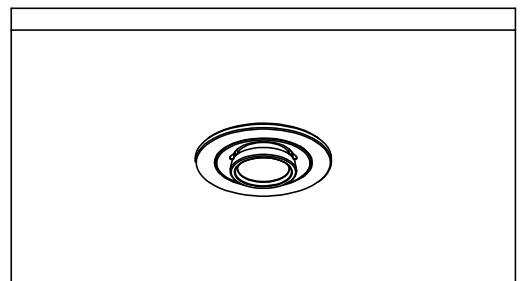
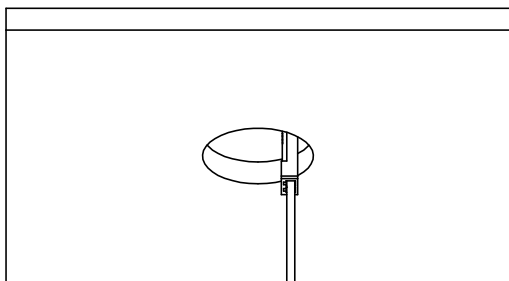
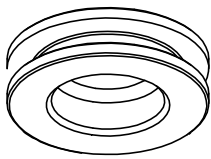
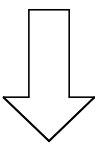
# 1. Drill



# 2. Install

I

II

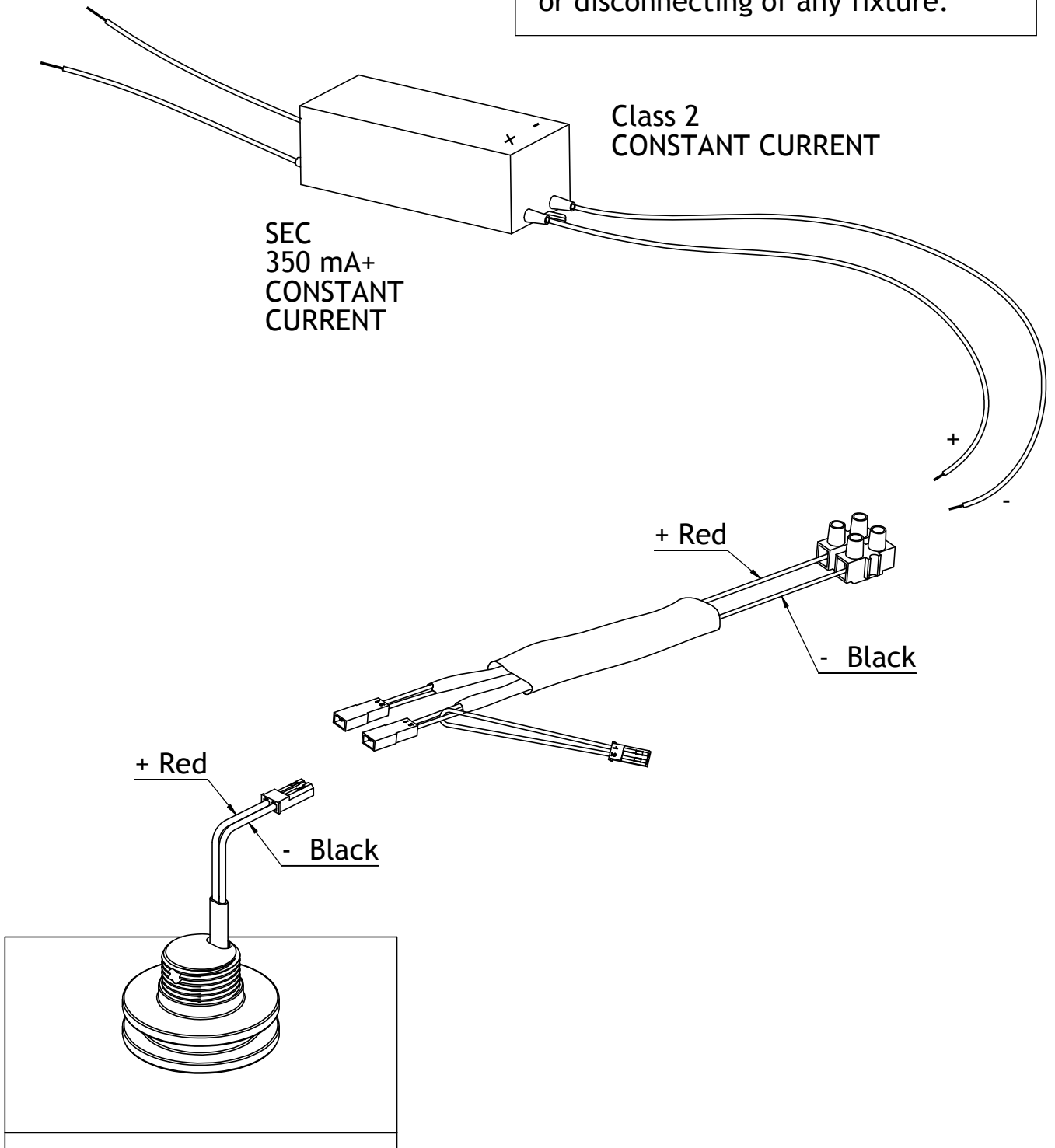


### 3a. Connect driver with fixed wires

Driver connection is indicative.  
Please follow national rules  
for connecting Class II luminaire.

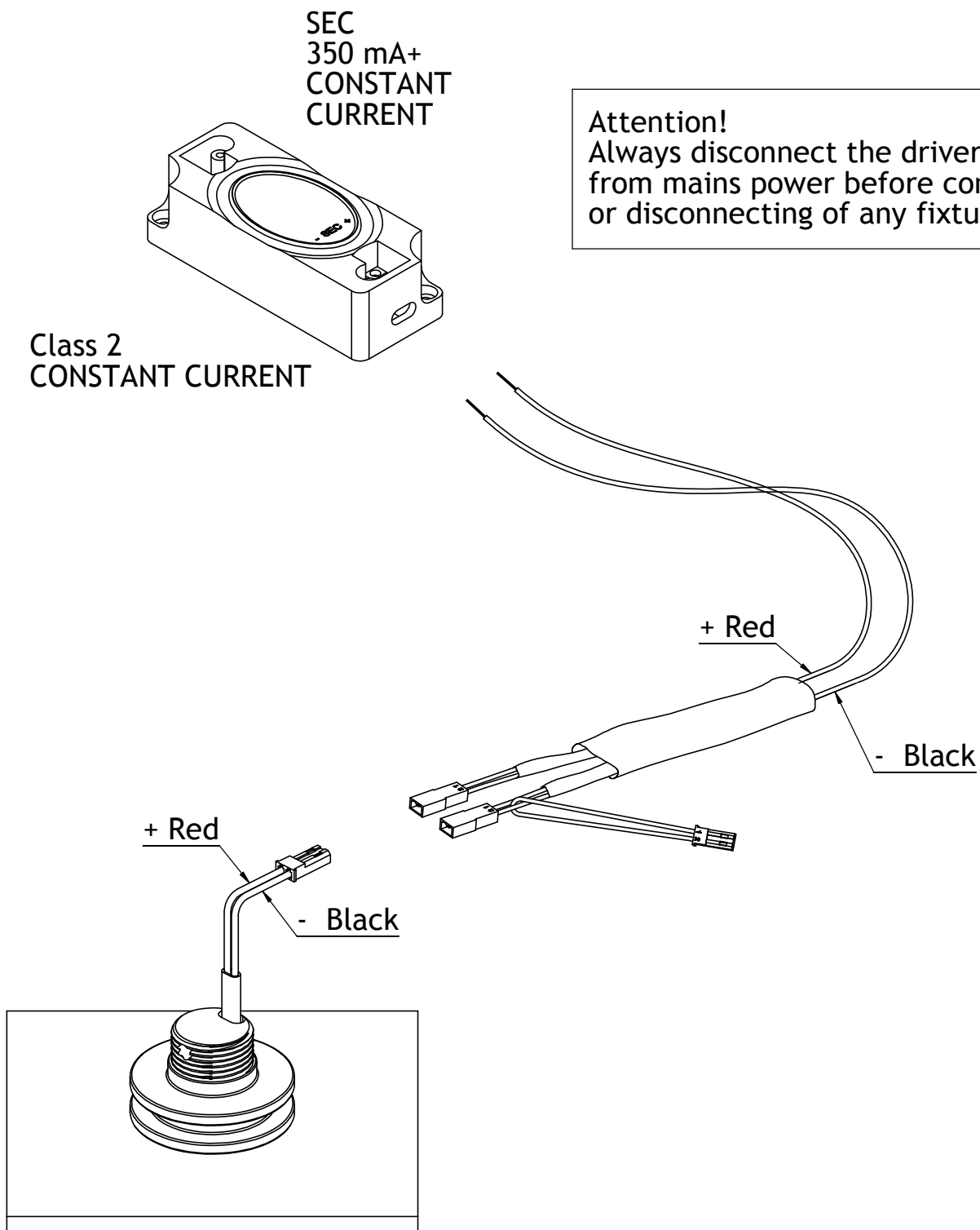
Connect to mains.

**Attention!**  
Always disconnect the driver  
from mains power before connecting  
or disconnecting of any fixture.



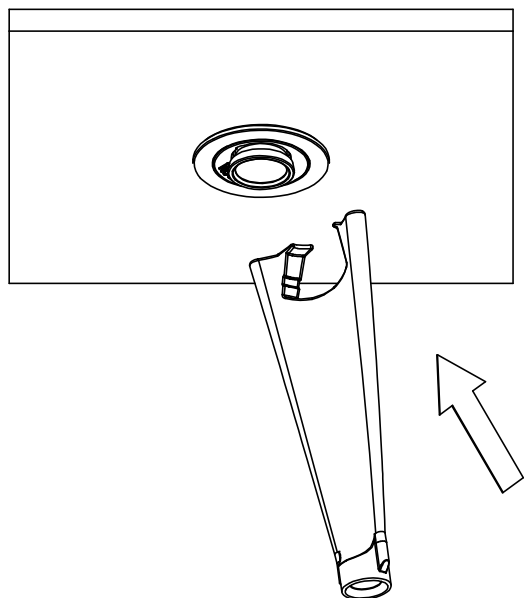
### 3b. Connect driver with screw terminals

Driver connection is indicative.  
Please follow national rules  
for connecting Class II luminaire.

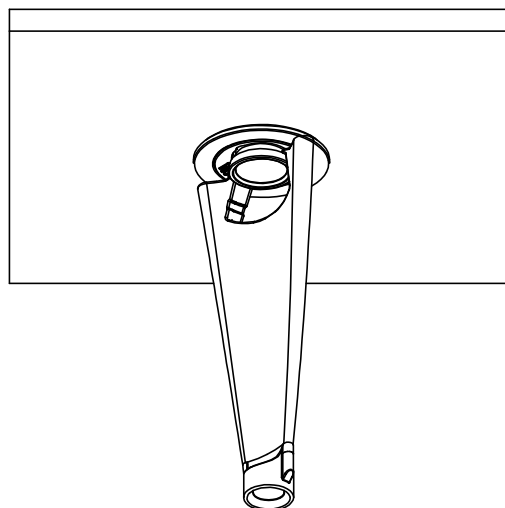


#### 4. Change reflector or PCB Remove reflector

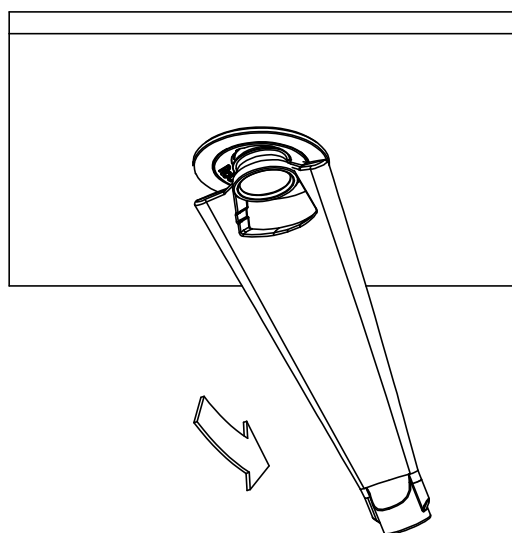
I



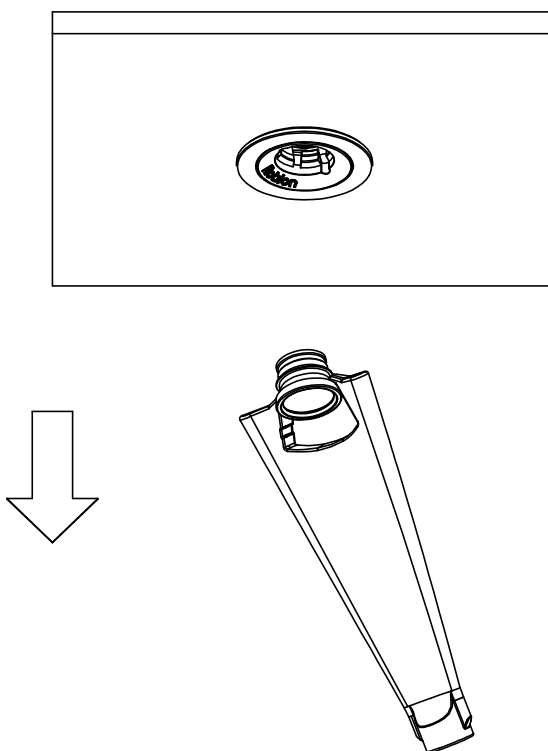
II



III



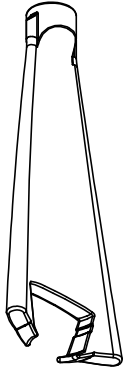
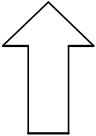
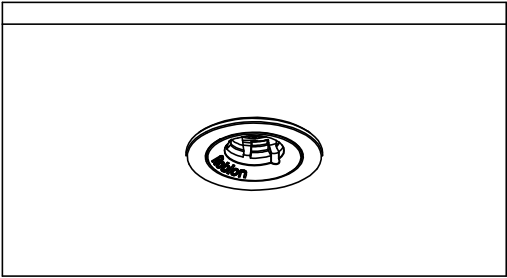
IV



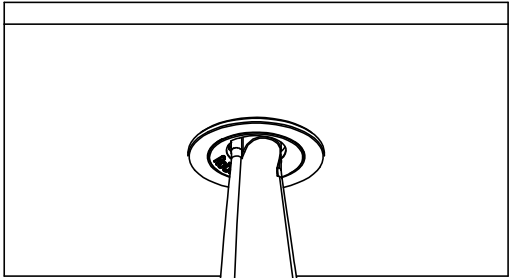
5. Remove reflector fixture

I Turn off mains power

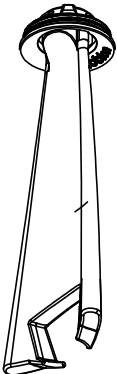
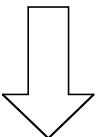
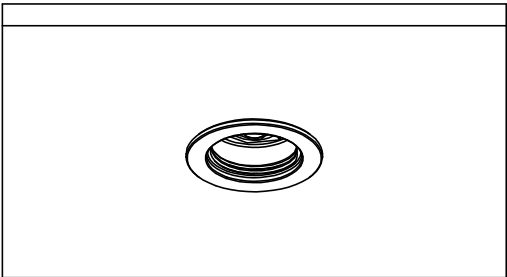
II



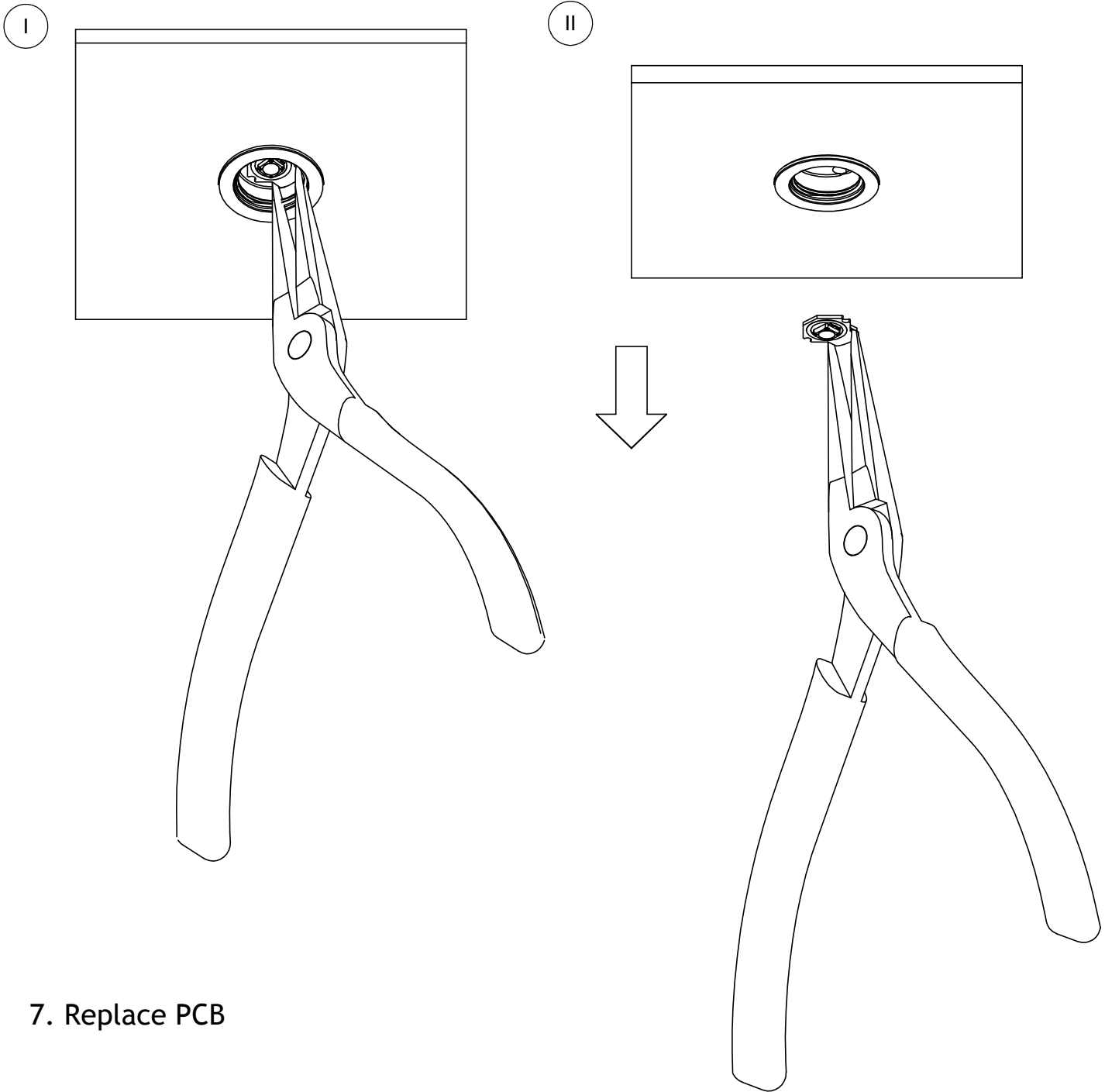
III



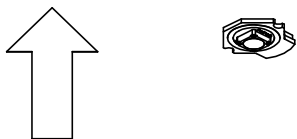
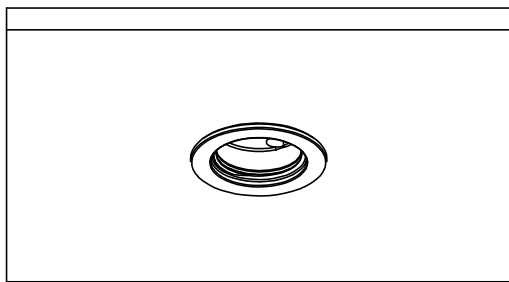
IV



## 8. Remove PCB

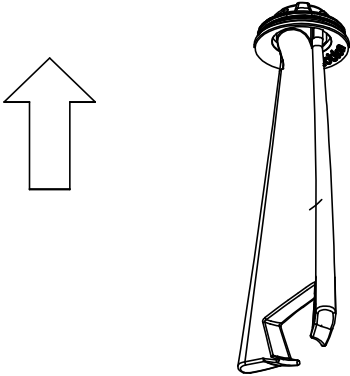
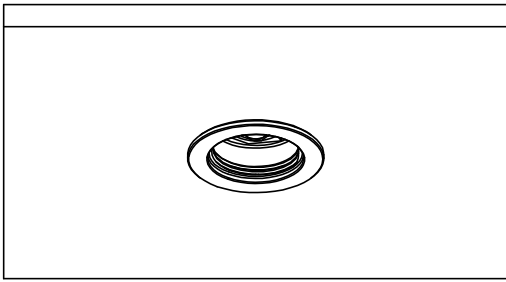


## 7. Replace PCB

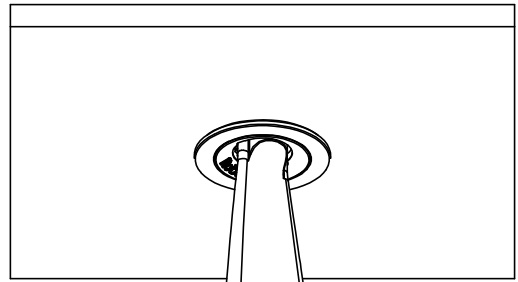


## 8. Insert reflector fixture

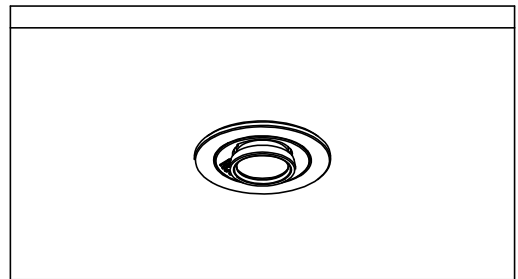
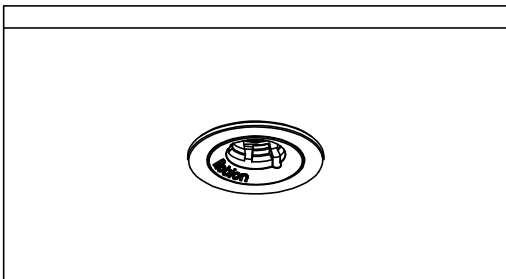
I



II



## 8. Insert reflector



Roblon accepts no responsibility for possible errors in printed and electronic material. Roblon reserves the right to alter or discontinue products without notice. © 2012, Roblon A/S.

# Roblon

ROBLON A/S  
Lighting Division  
Nordhavnsvej 1  
9900 Frederikshavn  
Denmark

Tel.: +45 9620 3366  
Fax: +45 9620 3396  
info@roblon.com  
www.roblonlighting.com