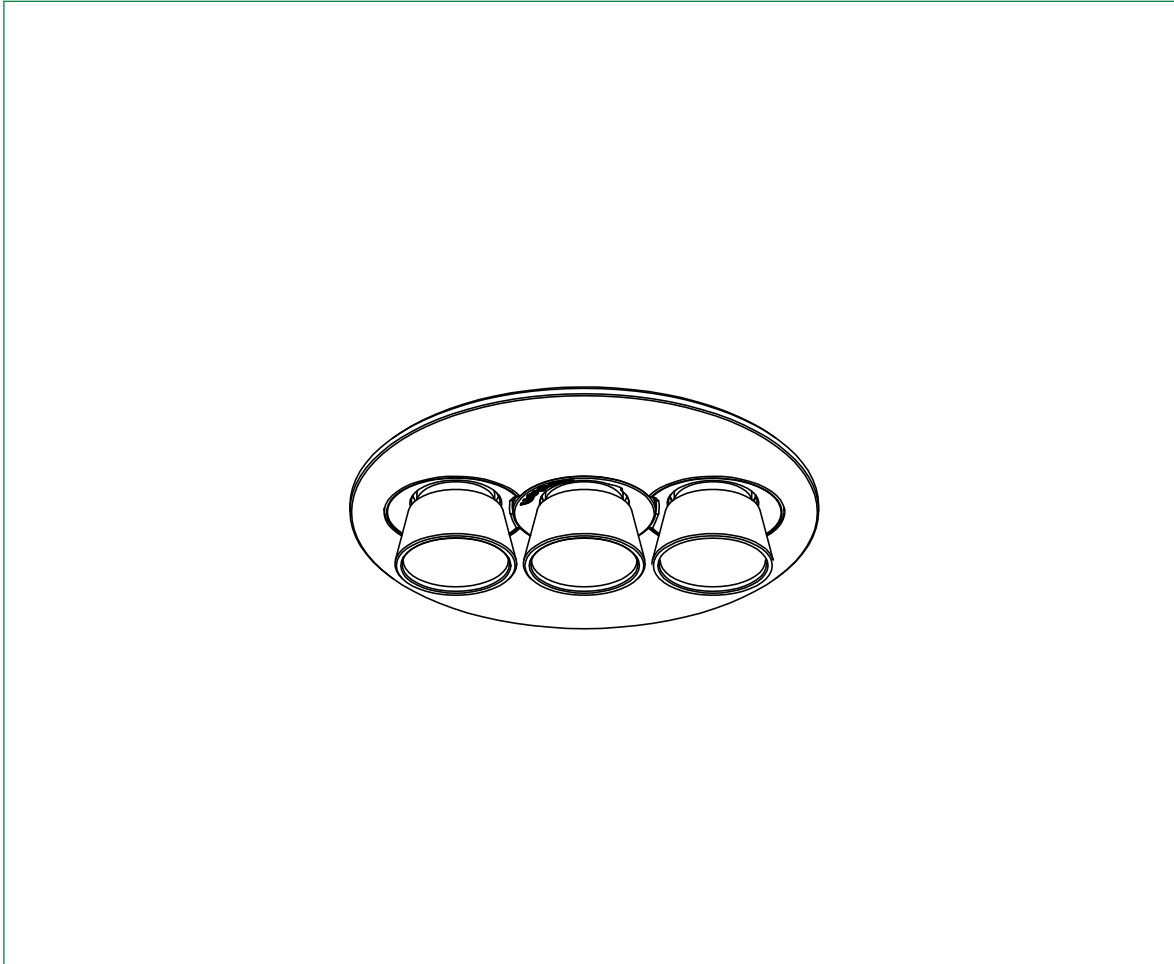


# Pyxis 3r

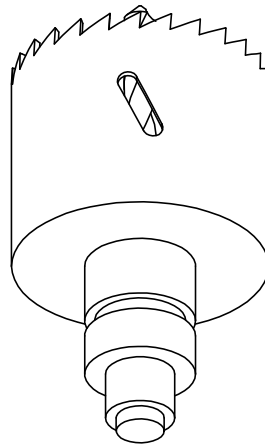
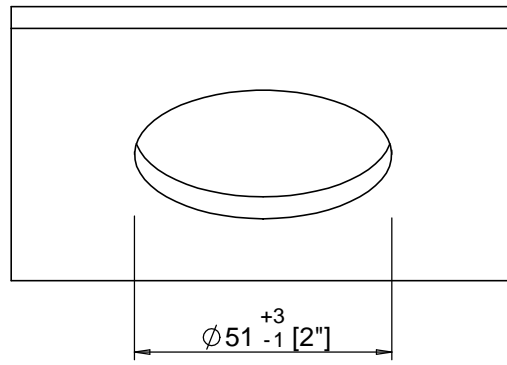
User manual



Mounting and installation of the following products.:

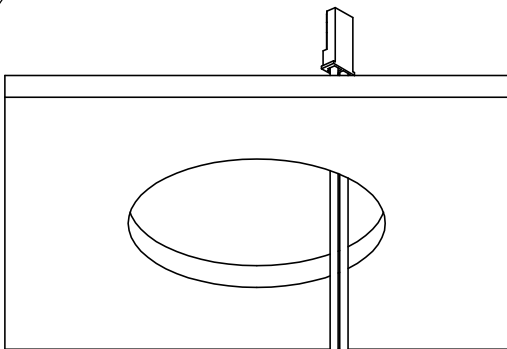
Item no.: +1132 xxxx

## 1. Drill

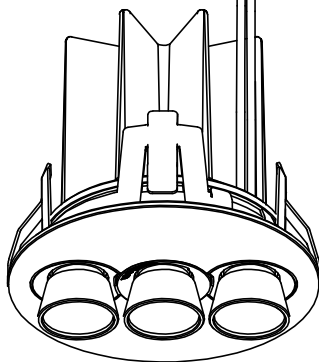
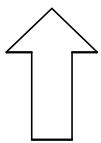
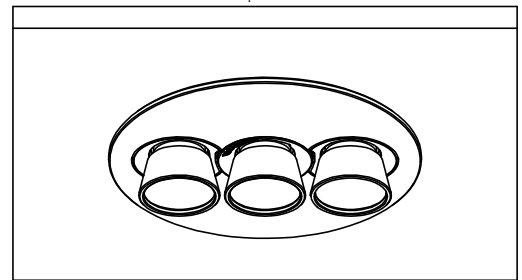


## 2. Install

I

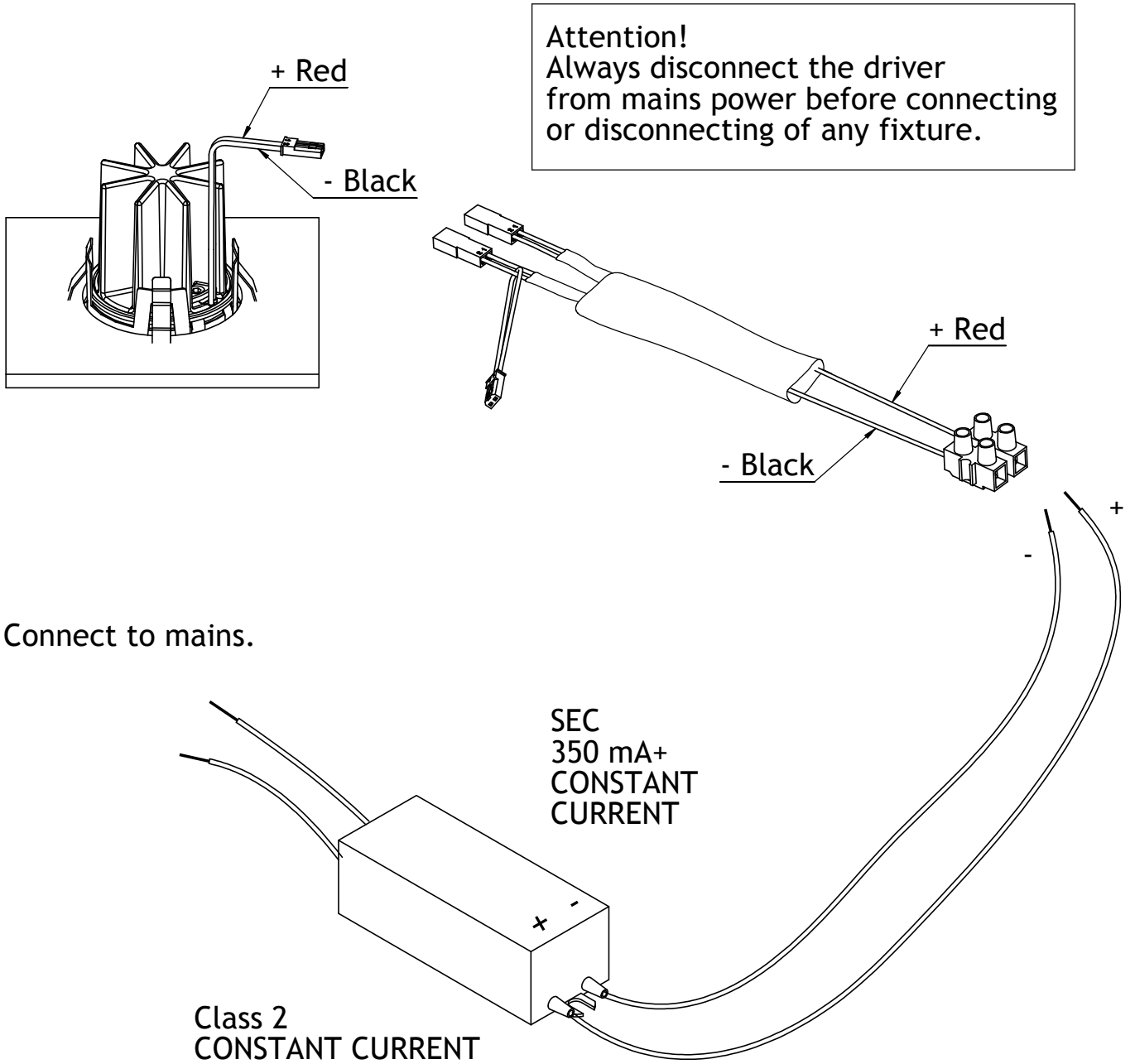


II



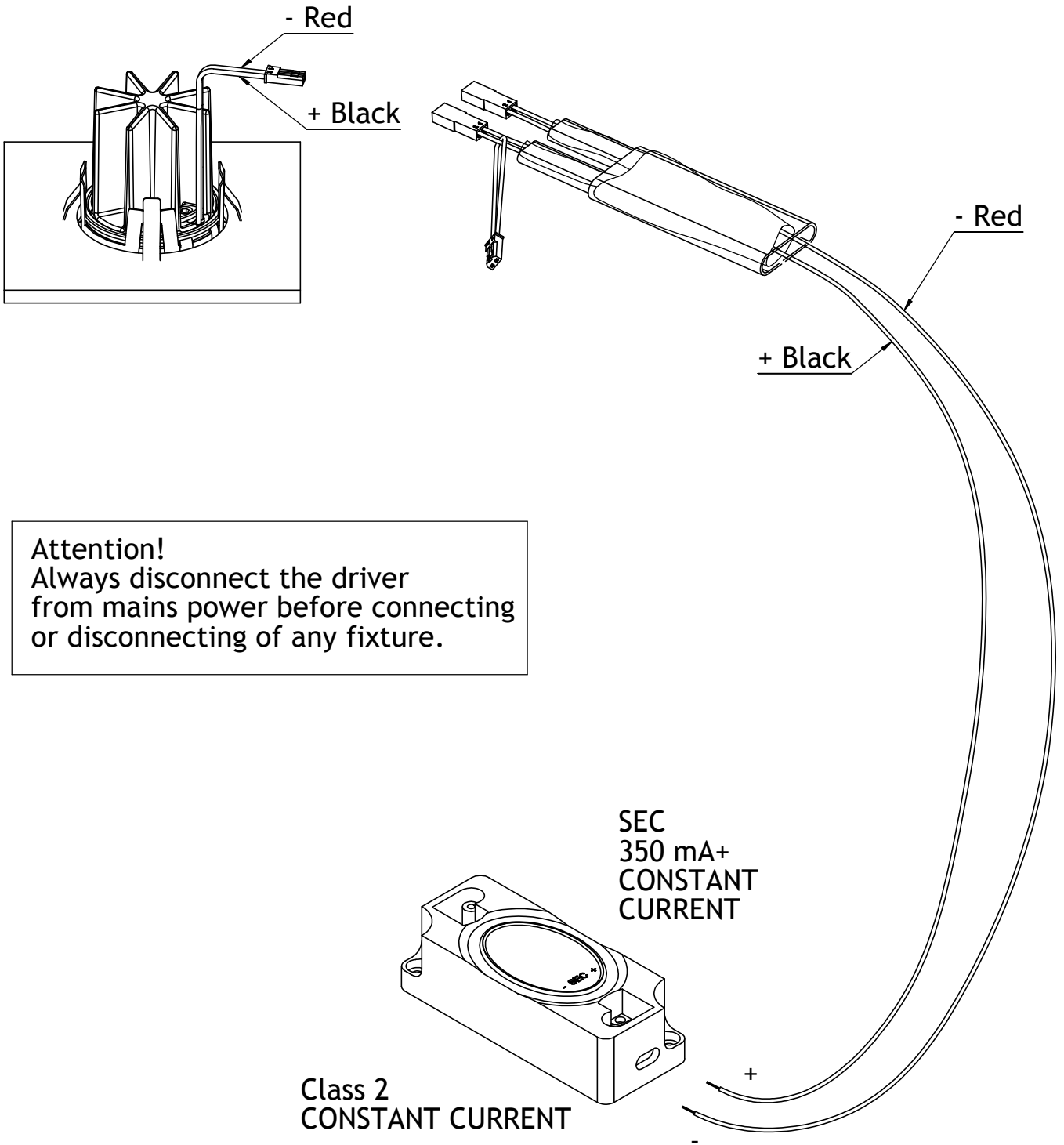
### 3a. Connect driver with fixed wires

Driver connection is indicative.  
Please follow national rules  
for connecting Class II luminaire.



### 3b. Connect driver with screw terminals

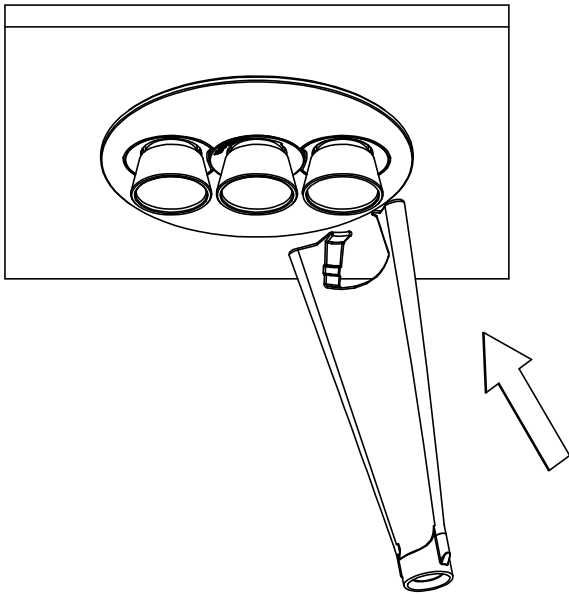
Driver connection is indicative.  
Please follow national rules  
for connecting Class II luminaire.



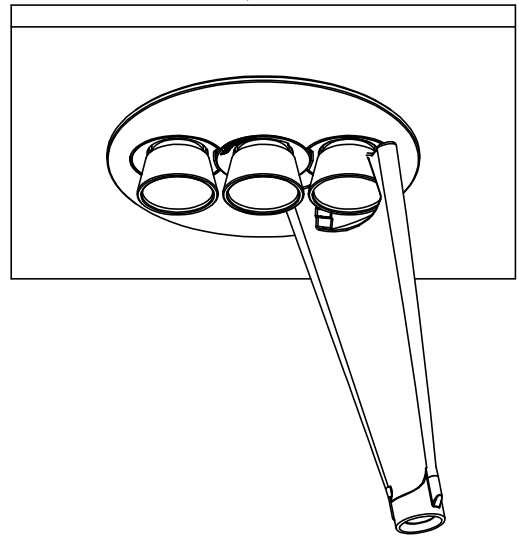
**Attention!**  
Always disconnect the driver  
from mains power before connecting  
or disconnecting of any fixture.

#### 4. Change reflector or PCB Remove reflector

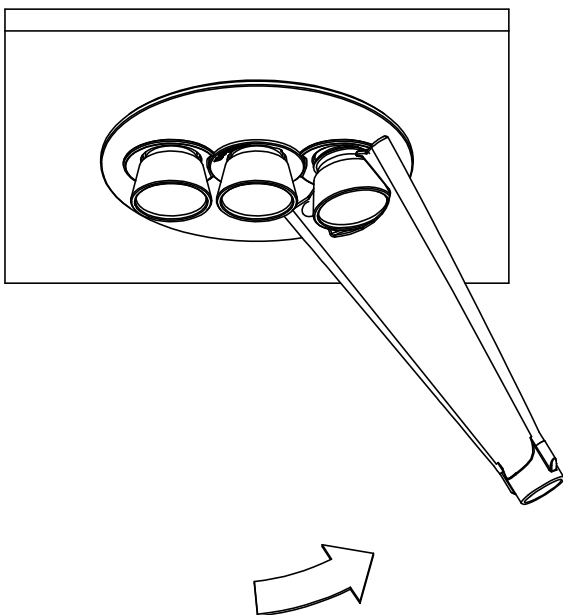
I



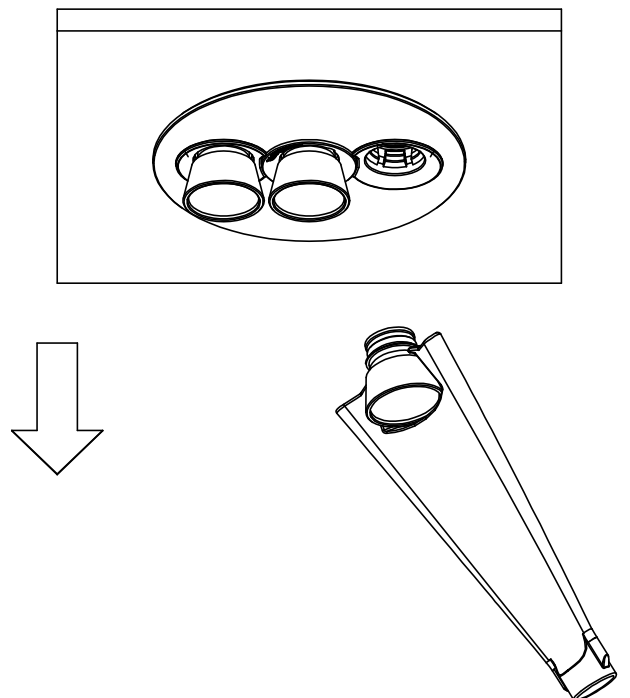
II



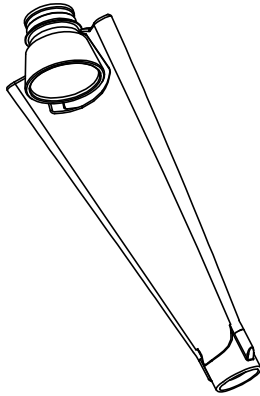
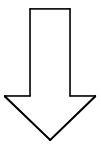
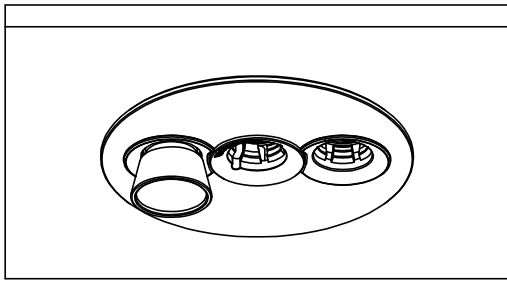
III



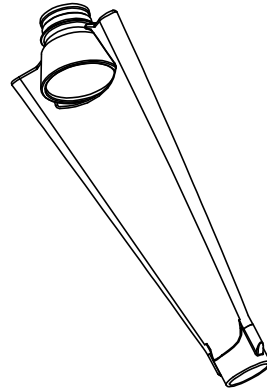
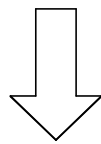
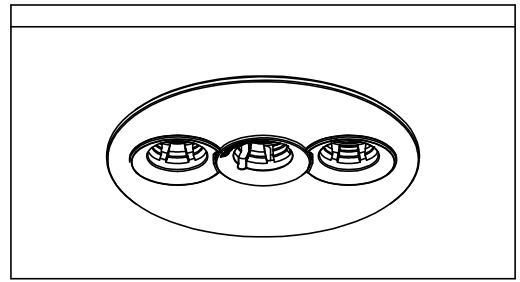
IV



V



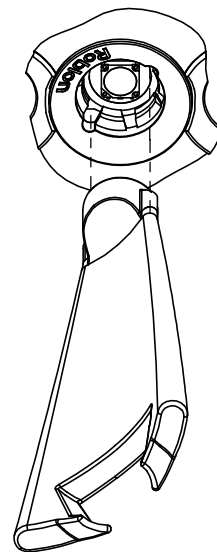
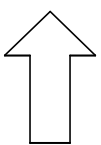
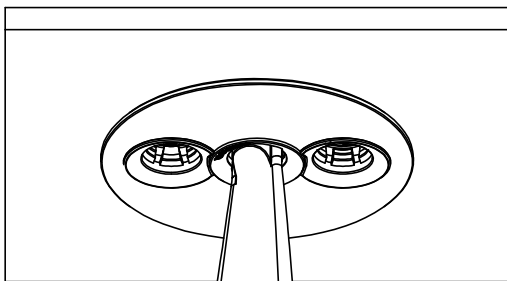
VI



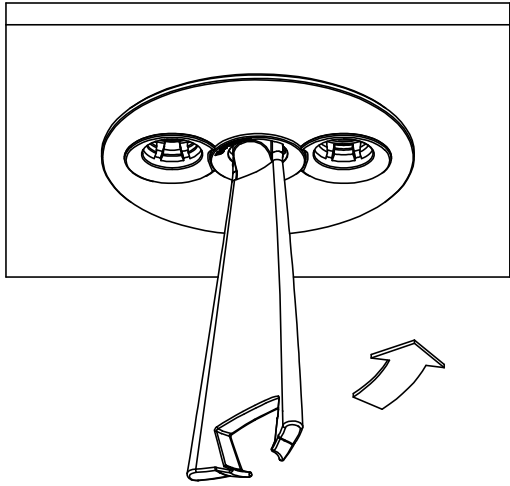
### 5. Remove reflector fixture.

I Turn off mains power.

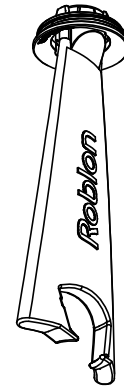
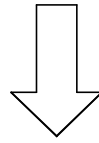
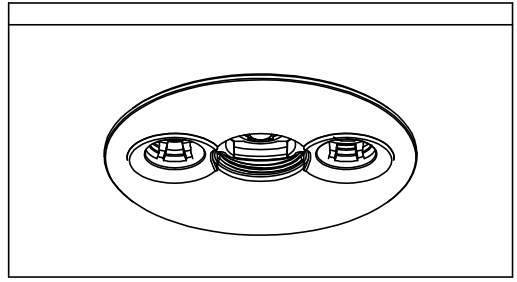
II



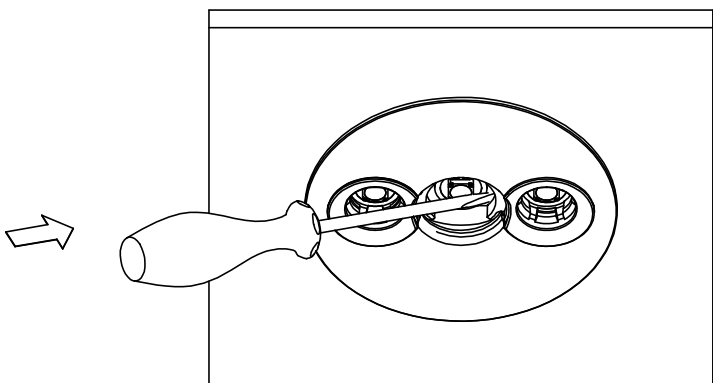
III



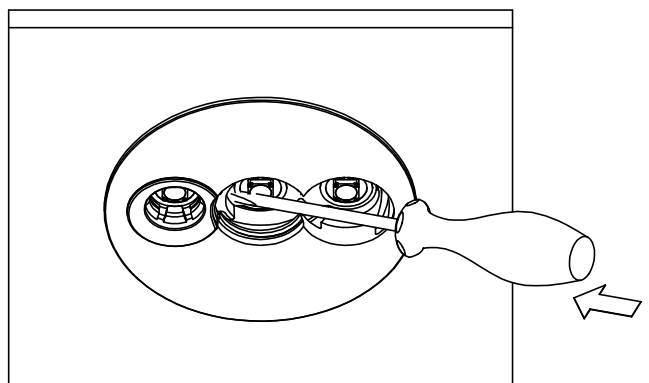
IV



V

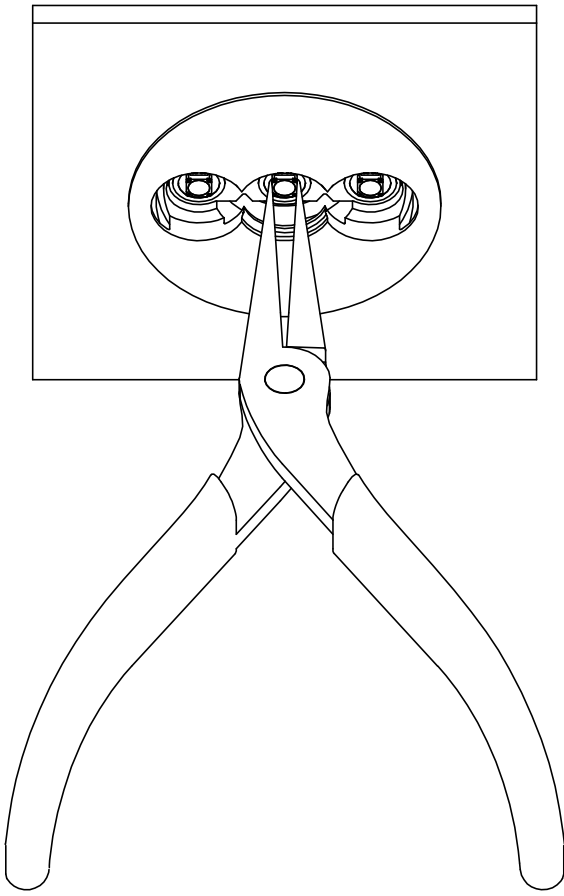


VI

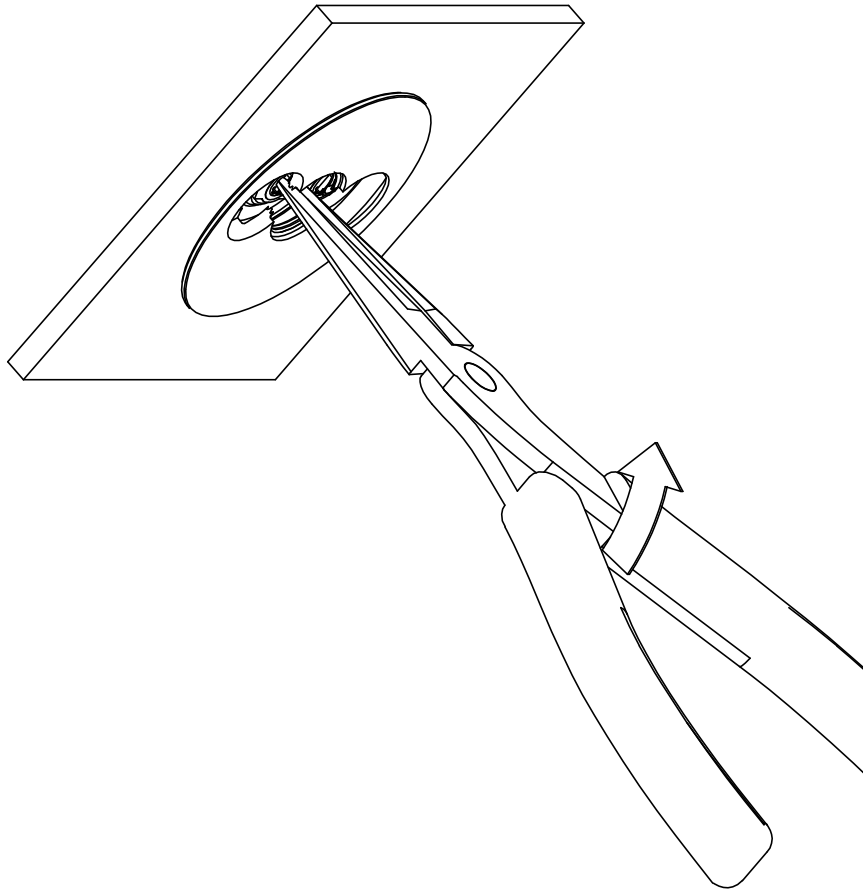


## 6. Remove PCB

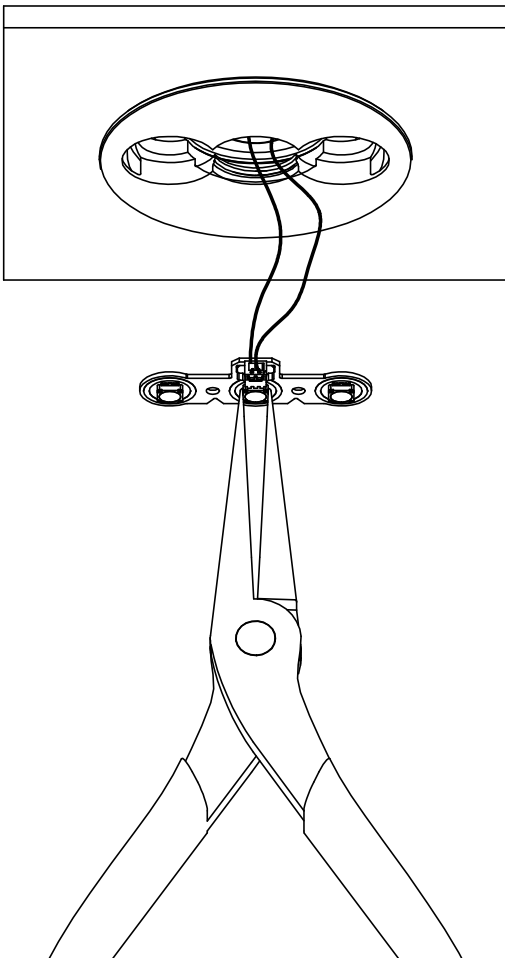
I



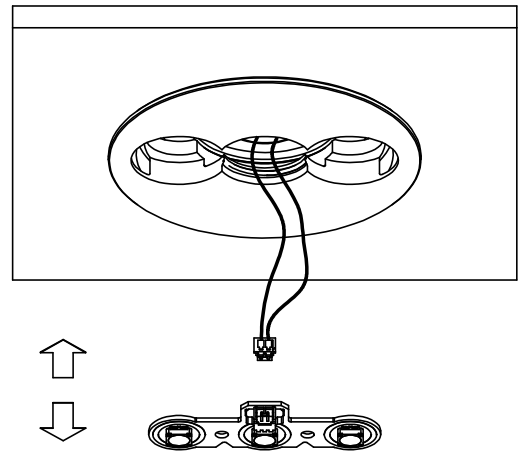
II



III



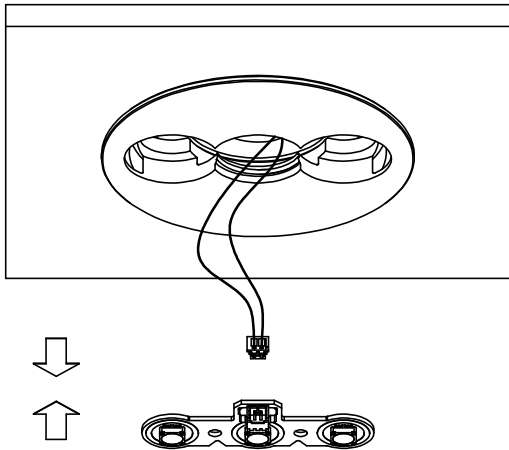
IV



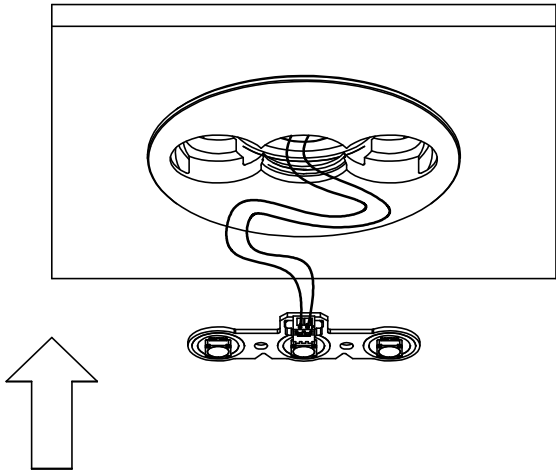


# 7. Replace PCB

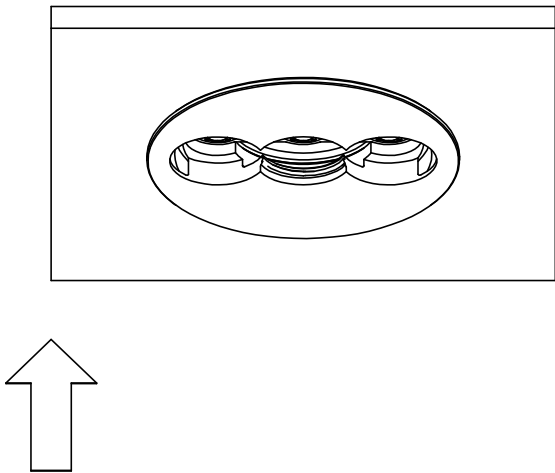
I



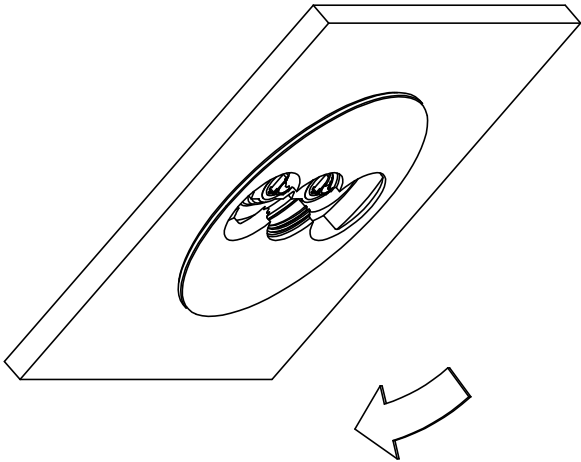
II



III

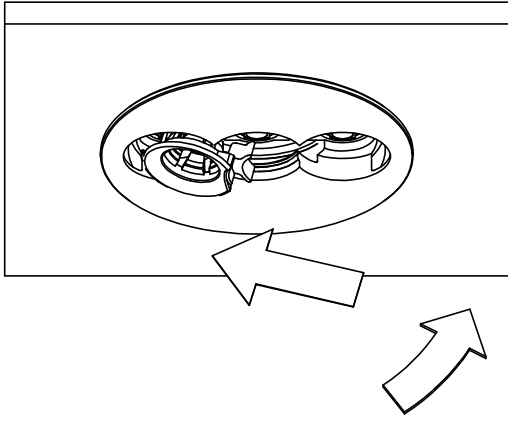


IV

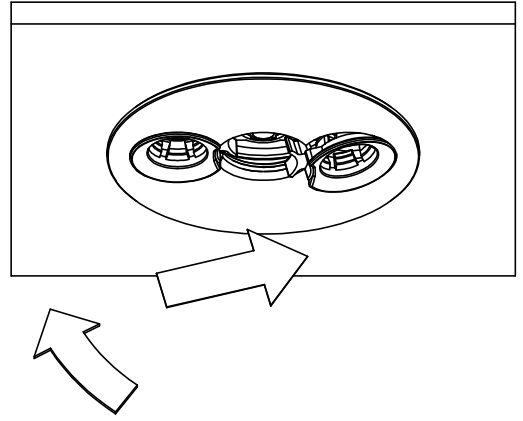


## 8. Place reflector fixture

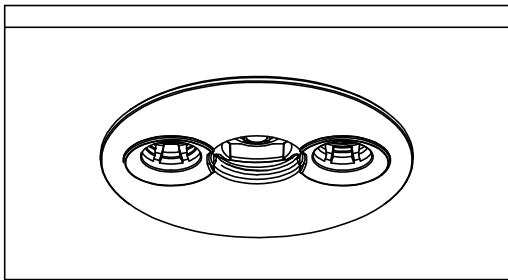
I



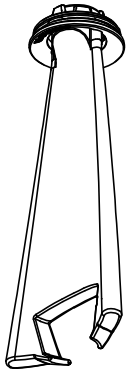
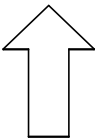
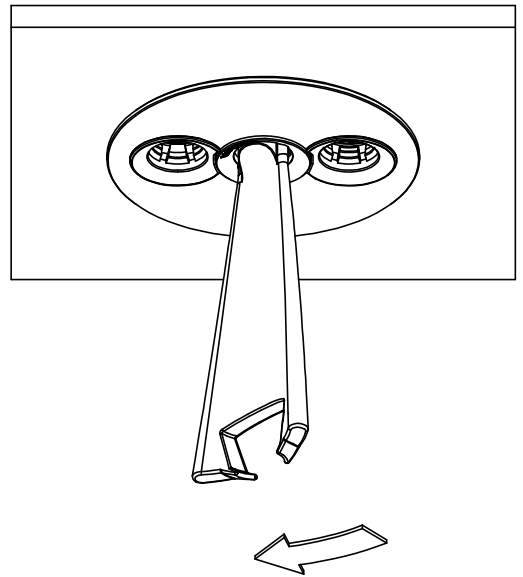
II



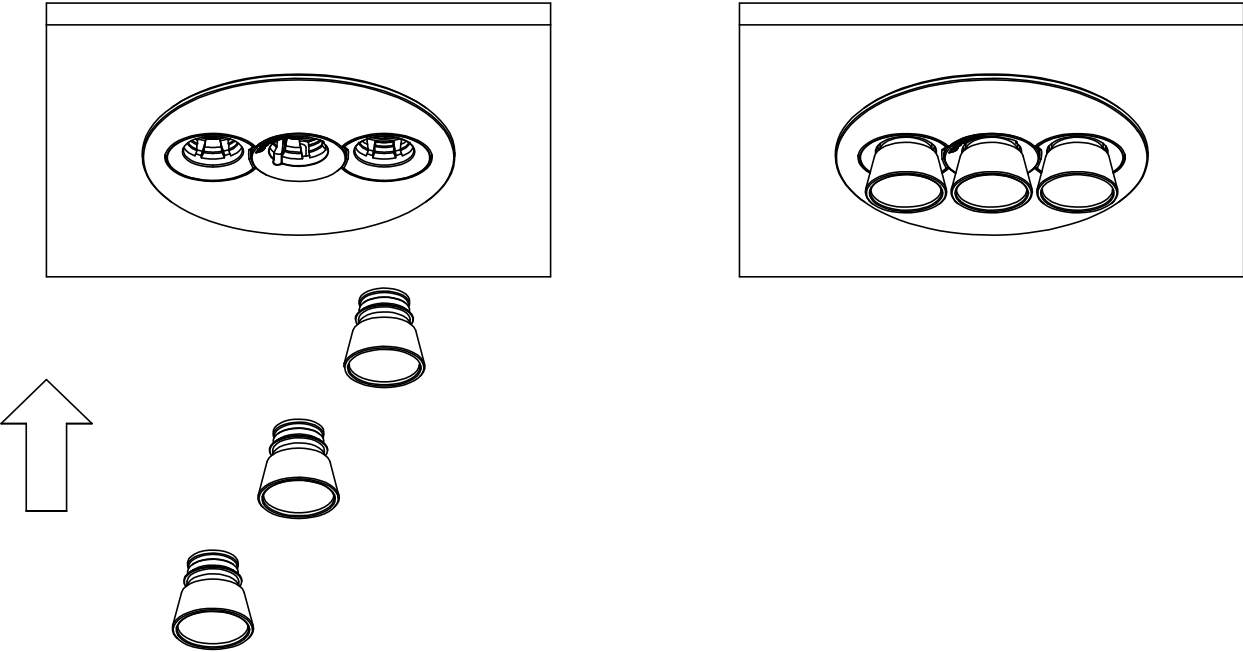
III



IV



9. Insert reflector



Roblon accepts no responsibility for possible errors in printed and electronic material. Roblon reserves the right to alter or discontinue products without notice. © 2012, Roblon A/S.

# Roblon

Roblon Lighting	Tel: +45 9620 3366
Nordhavnsvej 1	Fax: +45 9620 3396
9900 Frederikshavn	info@roblon.com
Denmark	www.roblon.com