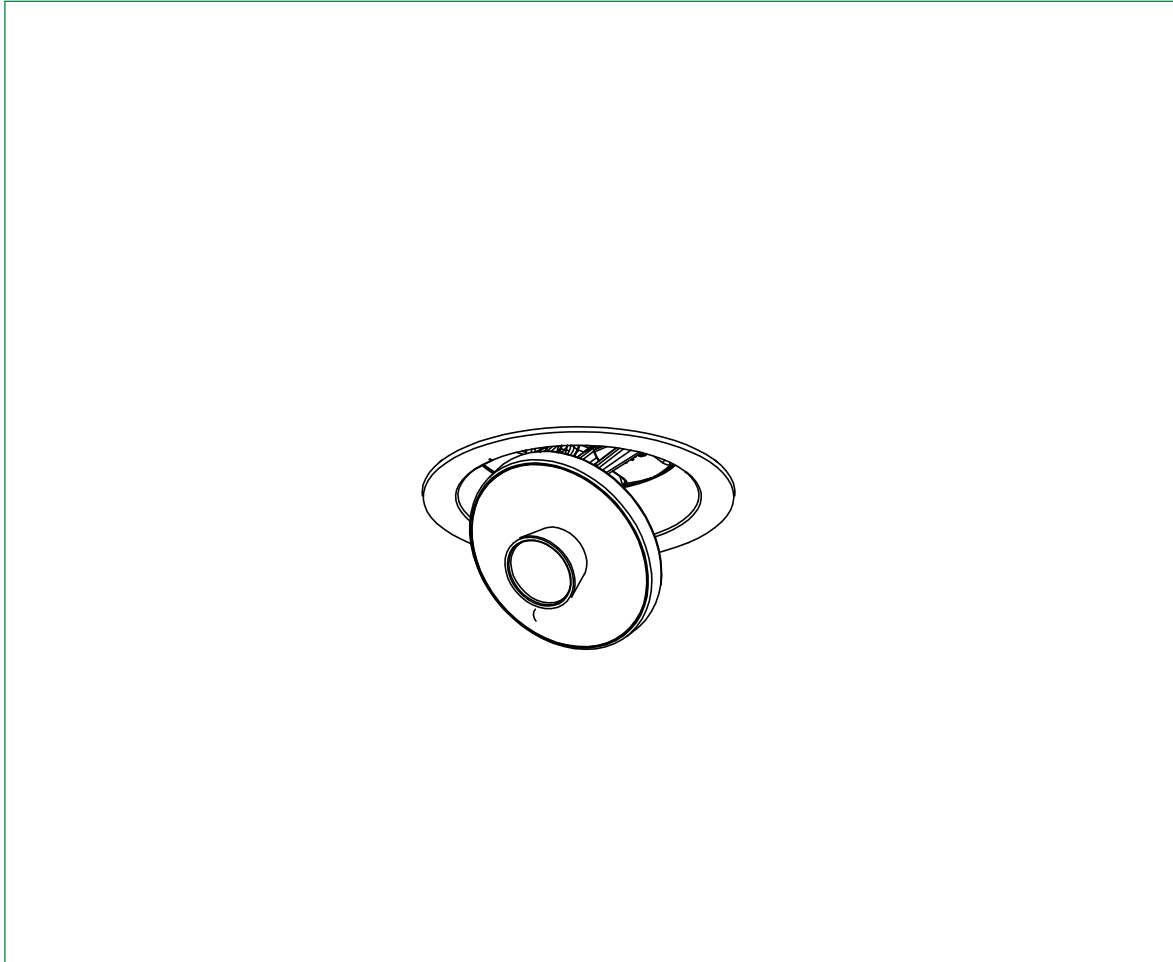


# Corvus 1r

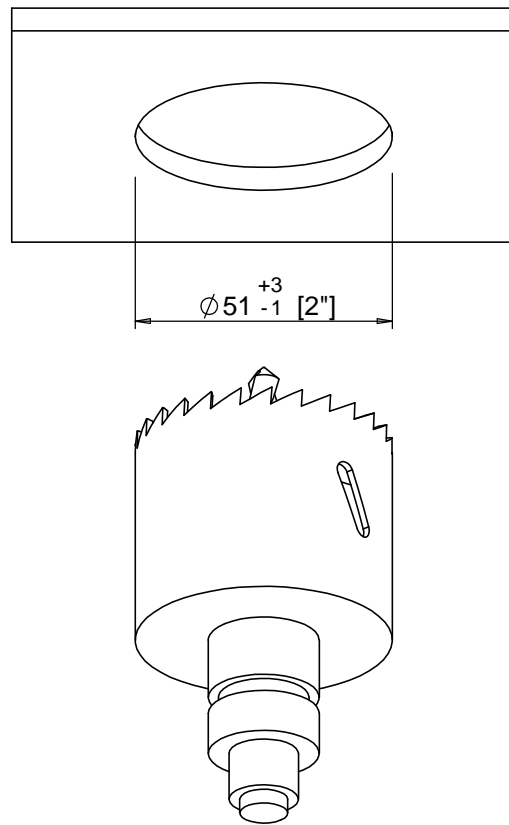
User manual



Mounting and installation of the following products.:

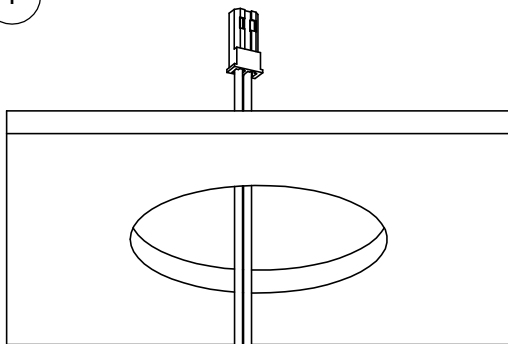
Item no.: +1151 xxxx

## 1. Drill

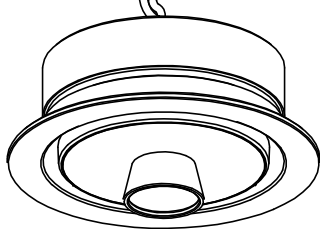
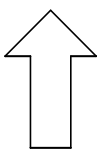
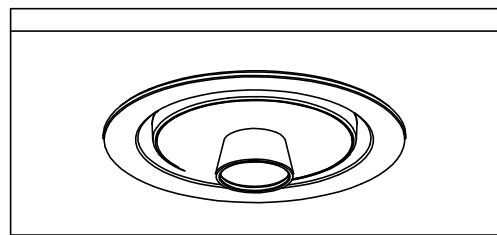


## 2. Install

I



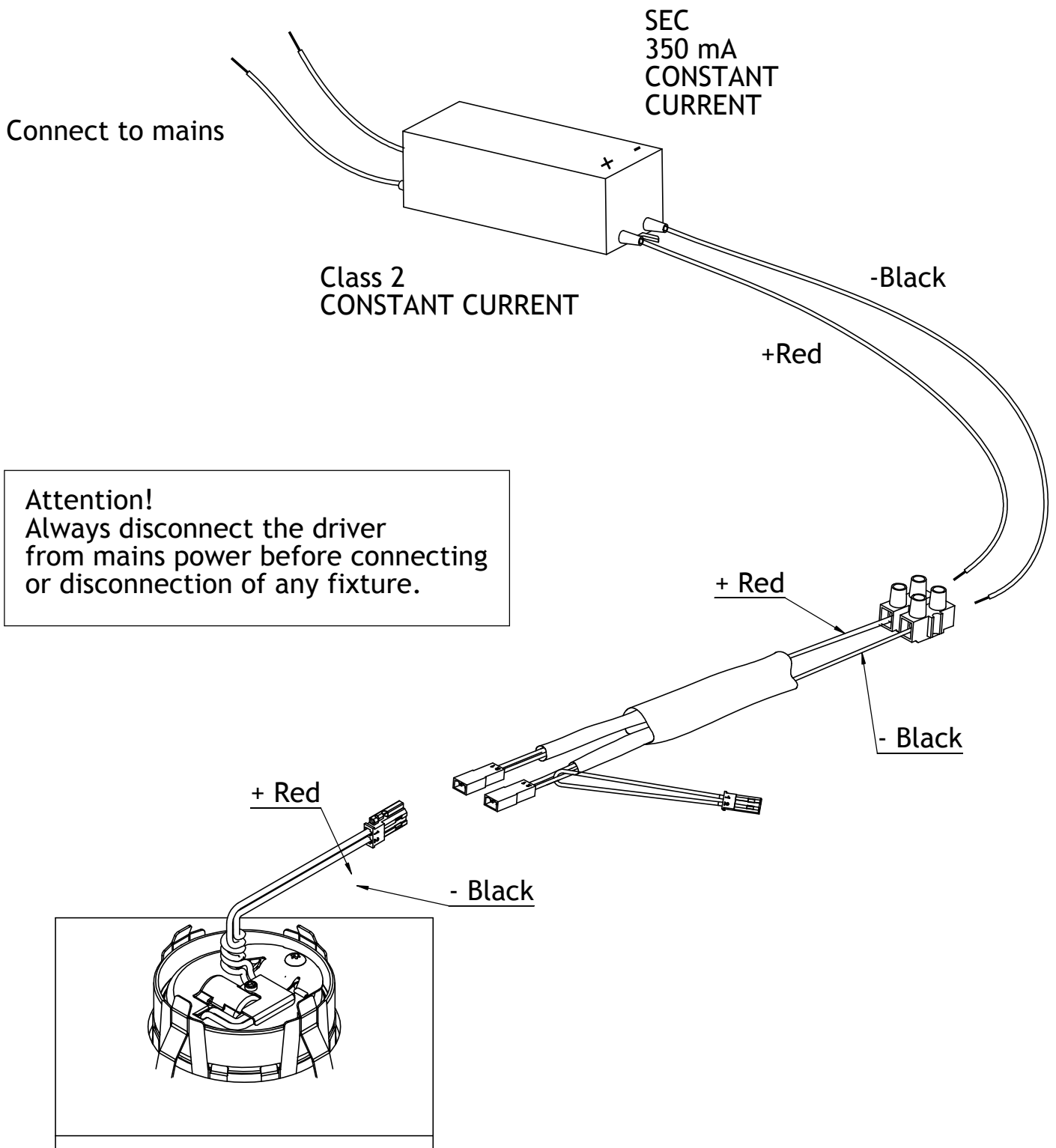
II



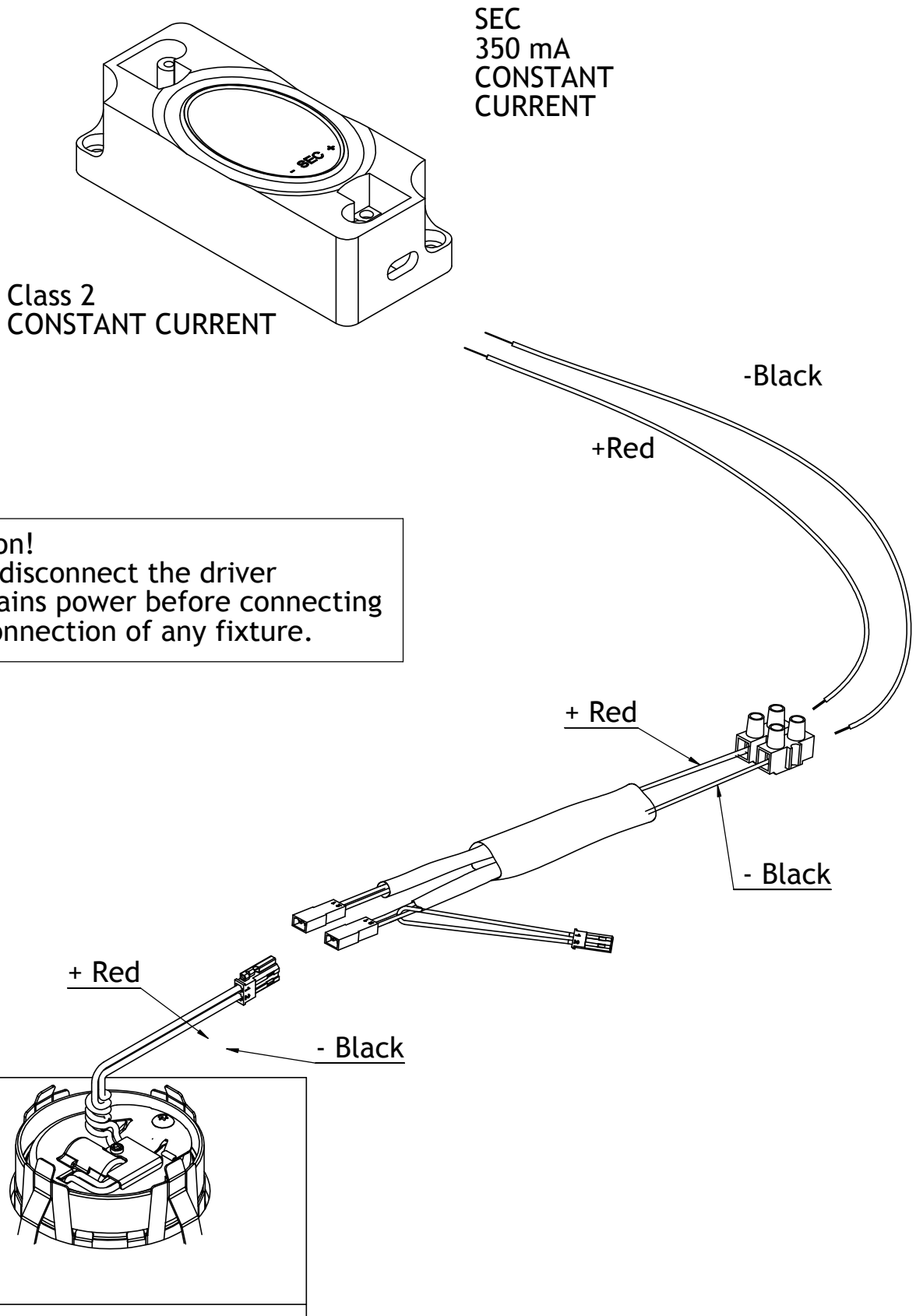
**NB!** To ensure smooth adjustment be careful and don't tighten the supply wire. Be sure that there is min. 25 mm excess supply wire and keep the twist on the wire.

## 2a. Connect driver with fixed wires

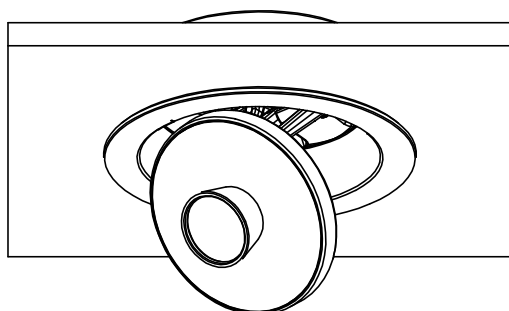
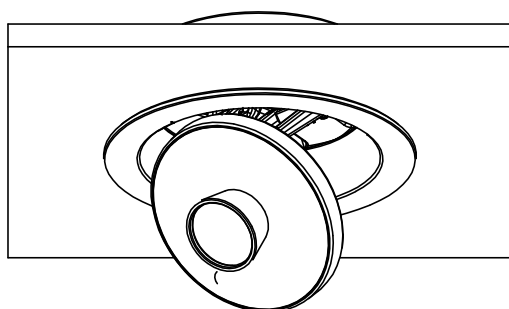
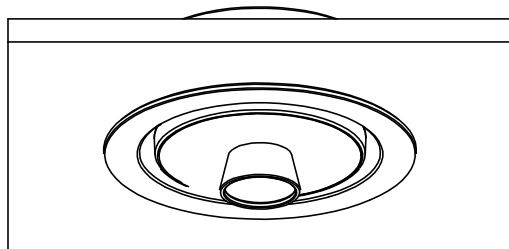
Driver connection is indicative.  
Please follow national rules  
for connecting a Class II luminaire.



## 2b. Connect driver with screw terminals

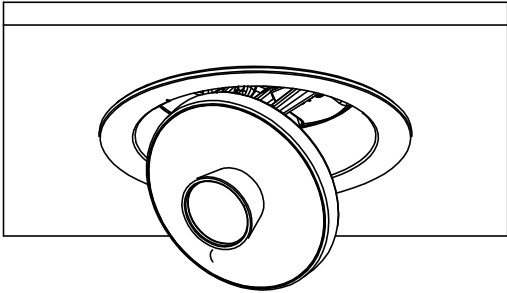


#### 4. Adjust angle

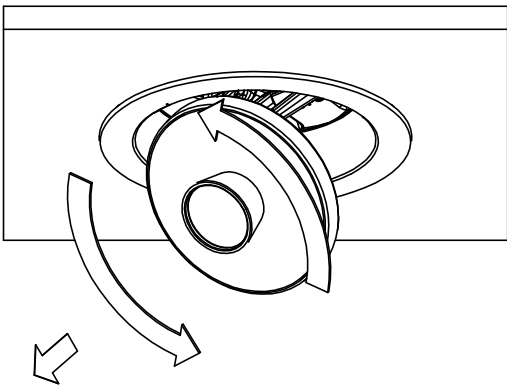


# 5. Change reflector

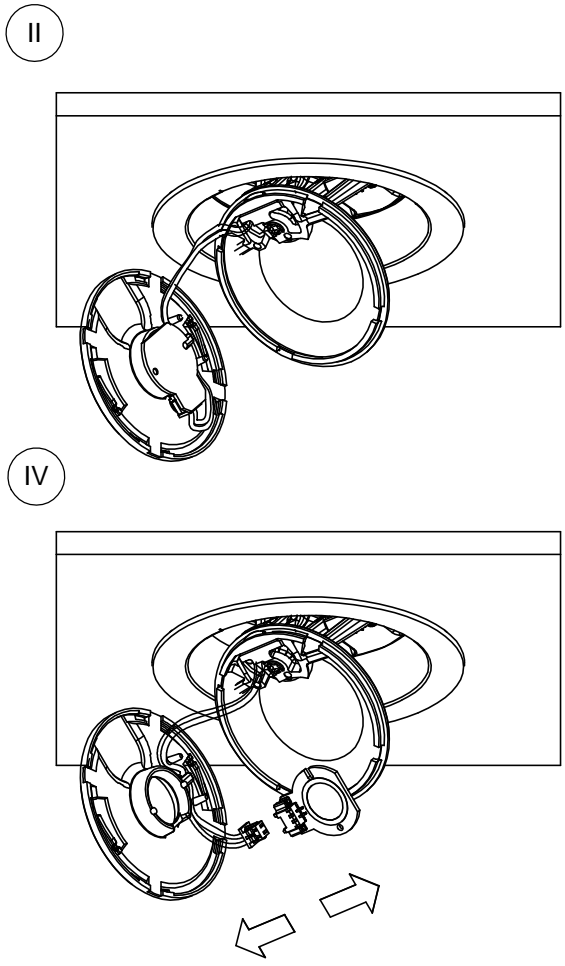
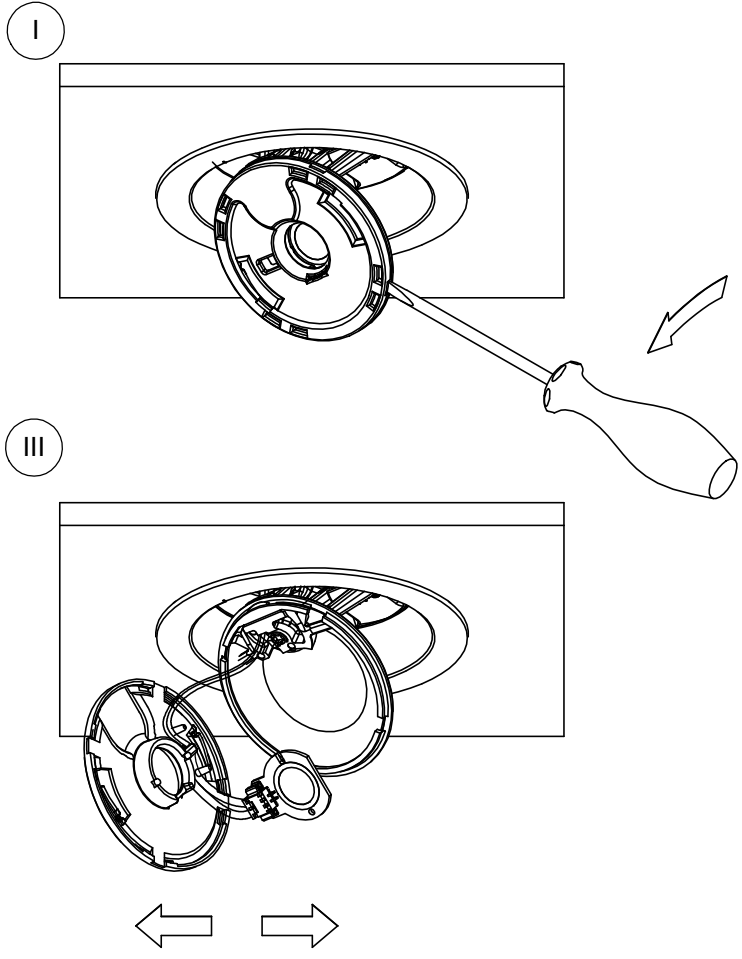
I



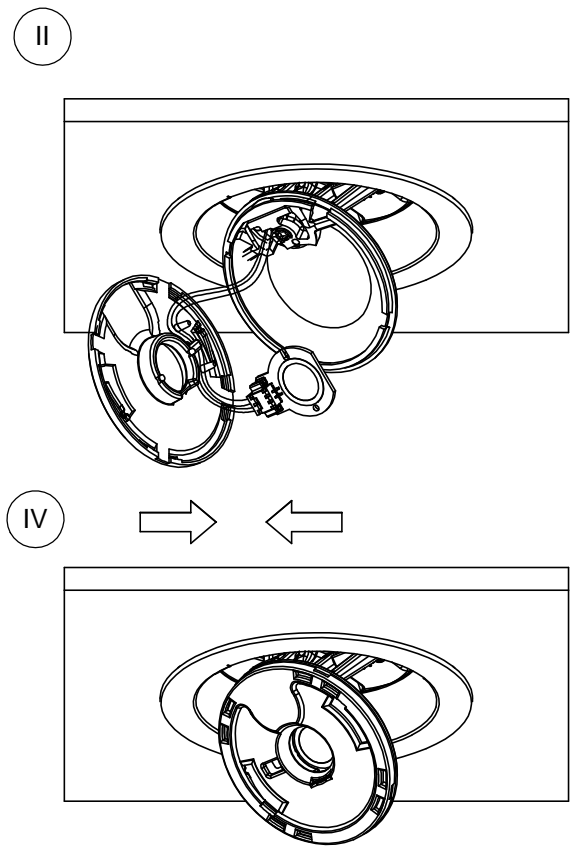
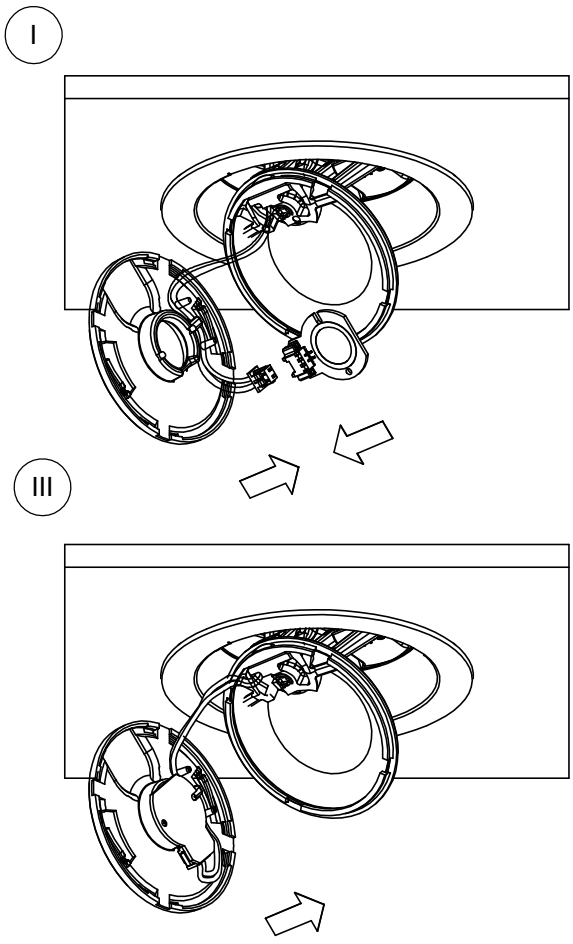
II



## 6. Remove PCB

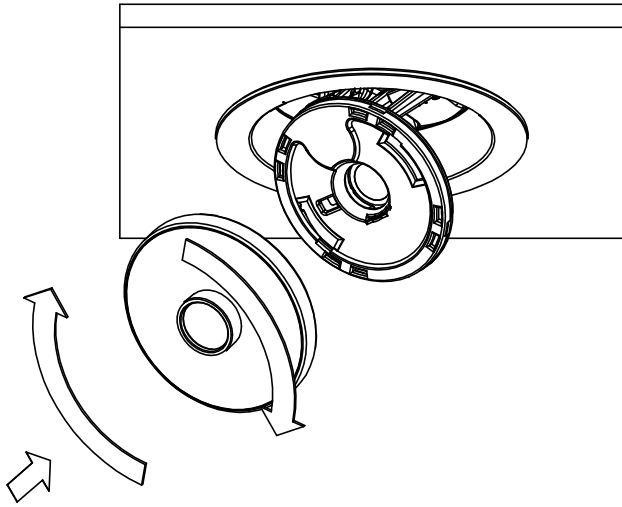


## 7. Place PCB

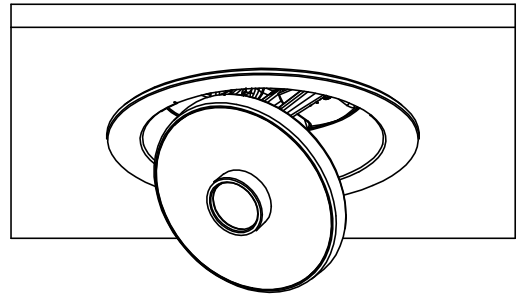


## 8. Place reflector

I



II



Roblon accepts no responsibility for possible errors in printed and electronic material. Roblon reserves the right to alter or discontinue products without notice. © 2012, Roblon A/S.

# Roblon

Roblon Lighting  
Nordhavnsvej 1  
9900 Frederikshavn  
Denmark

Tel: +45 9620 3366  
Fax: +45 9620 3396  
info@roblon.com  
www.roblon.com