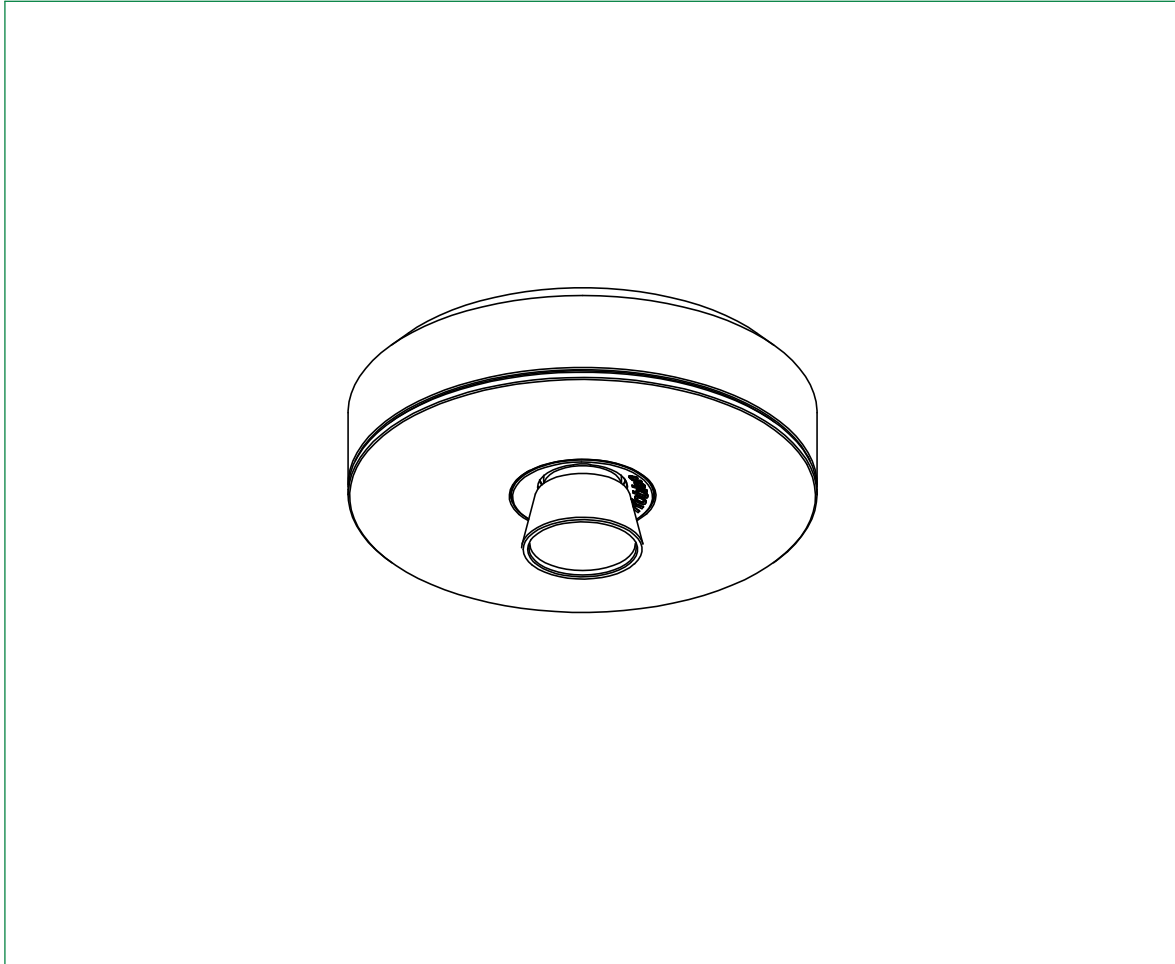


# Pyxis 1s

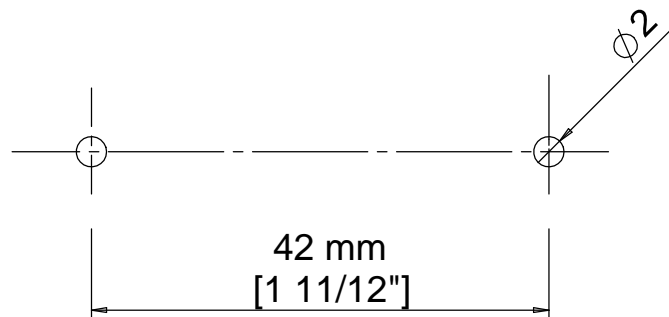
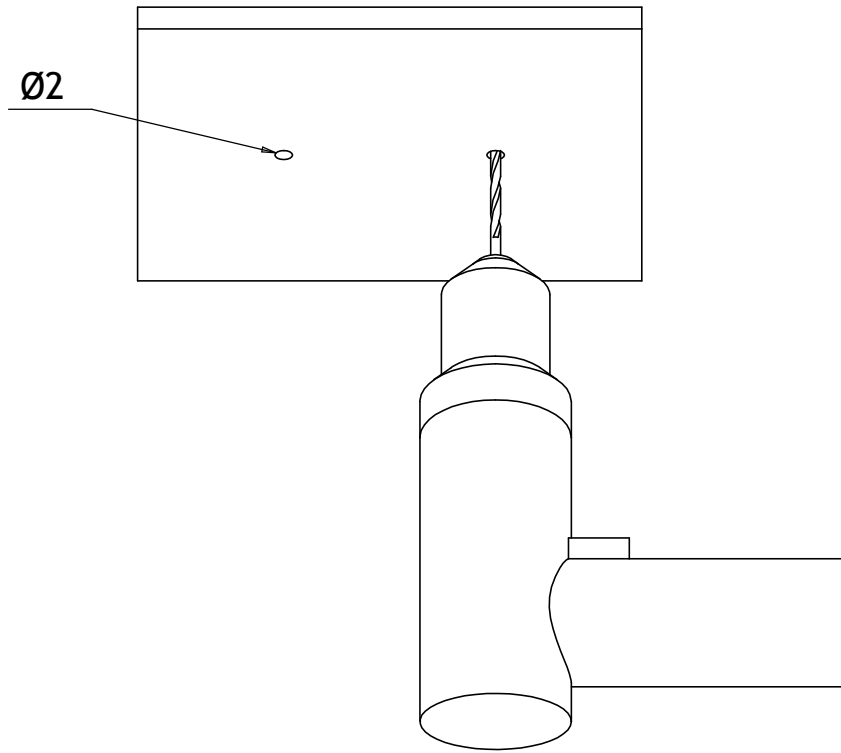
User manual



Mounting and installation of the following products.:

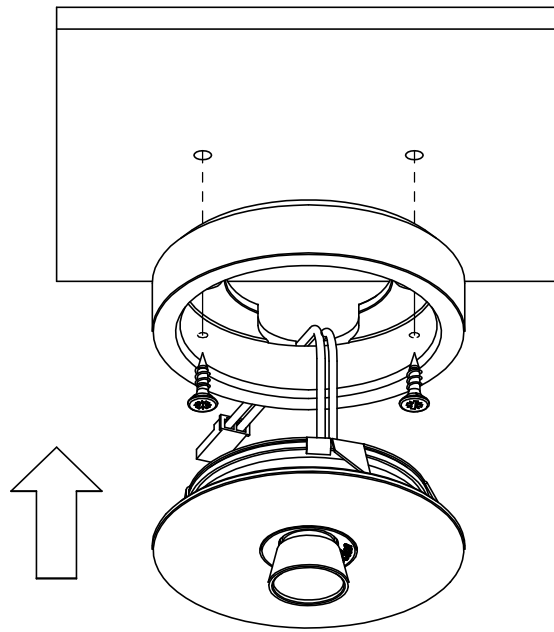
Item no.: +1134 xxxx

# 1. Drill

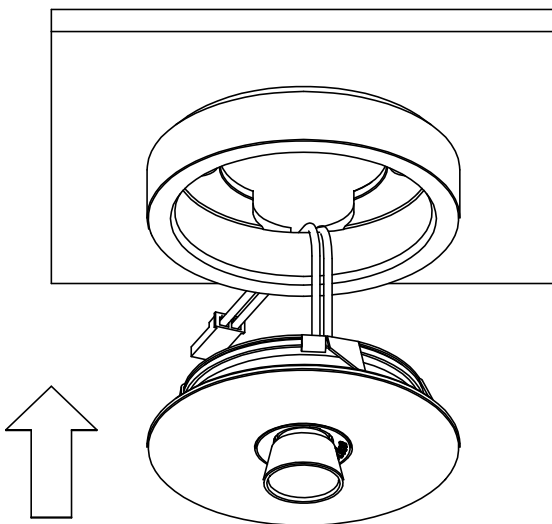


## 2. Install

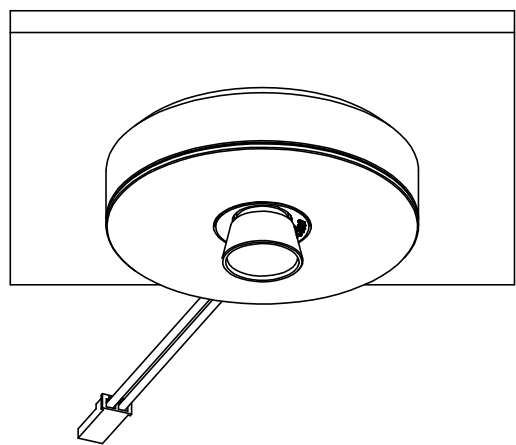
I



II

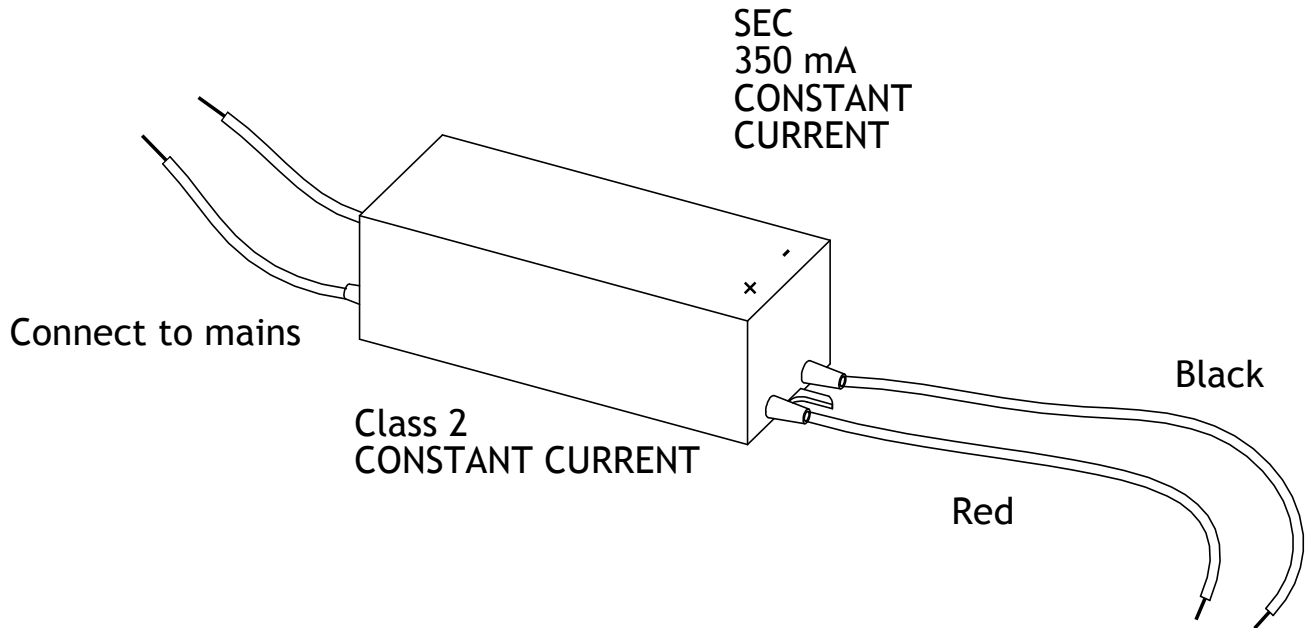


III

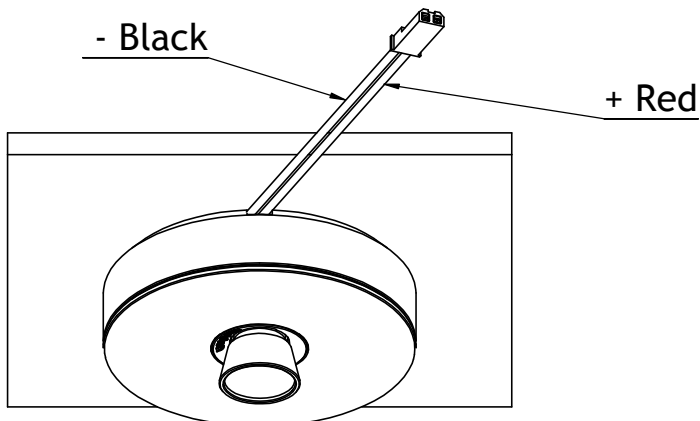
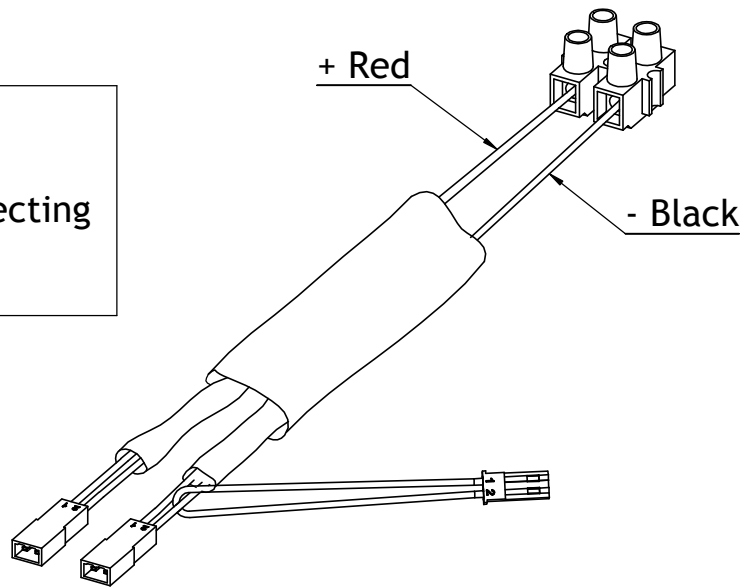


### 3a. Connect driver with fixed wires

Driver connection is indicative.  
Please follow national rules  
for connecting a Class II luminaire.

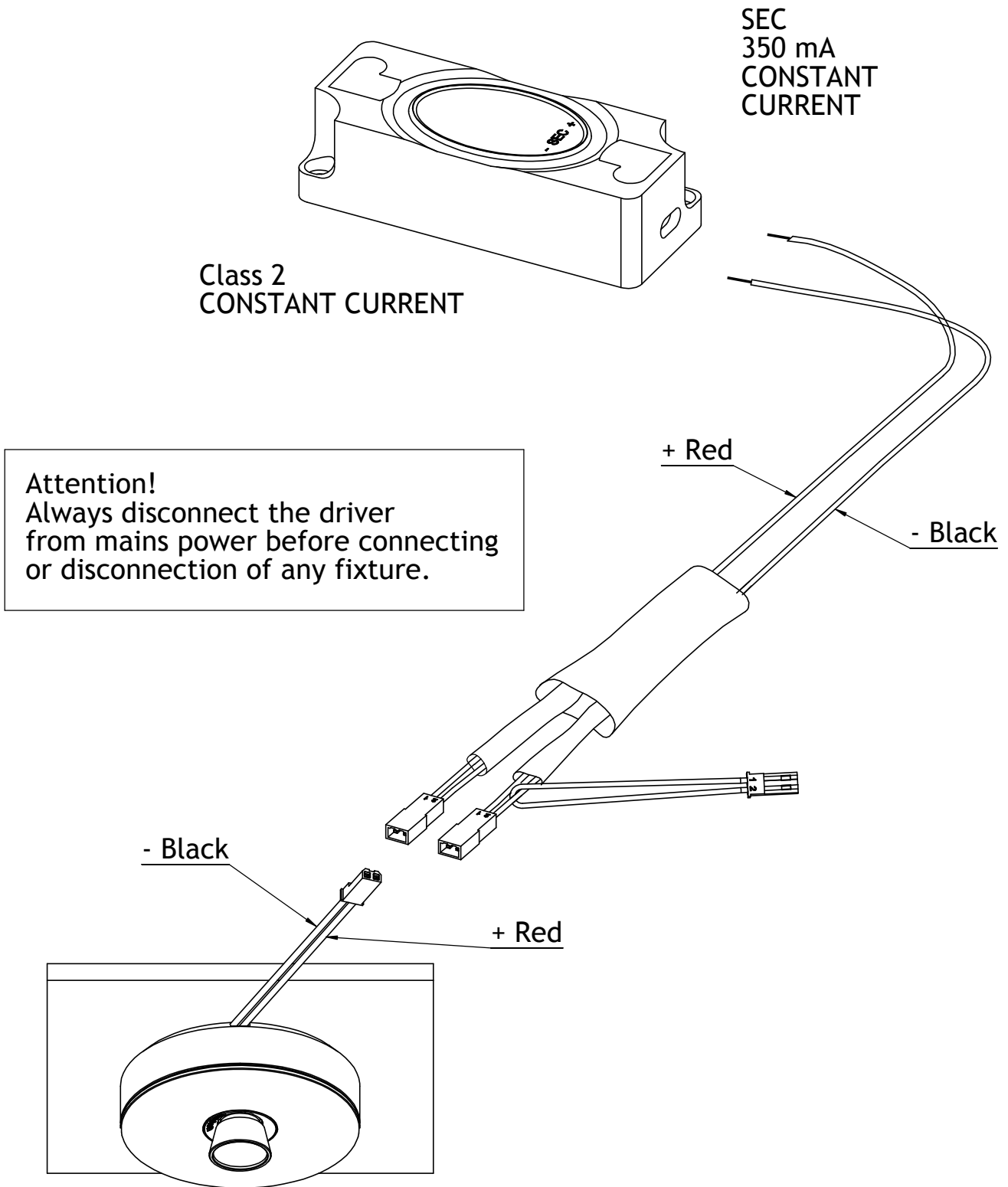


**Attention!**  
Always disconnect the driver  
from mains power before connecting  
or disconnection of any fixture.



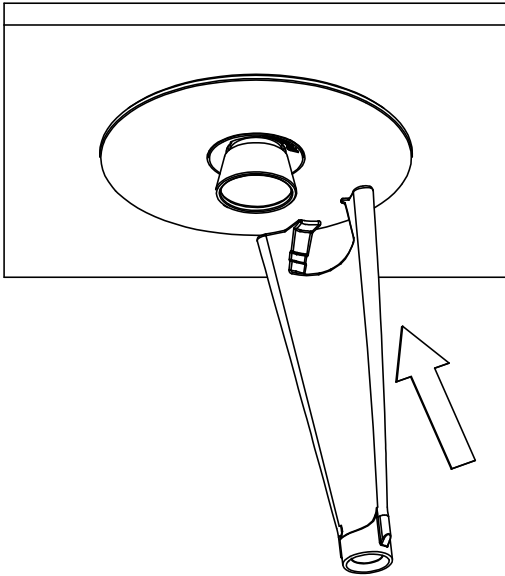
### 3b. Connect driver with screw terminals

Driver connection is indicative.  
Please follow national rules  
for connecting a Class II luminaire.

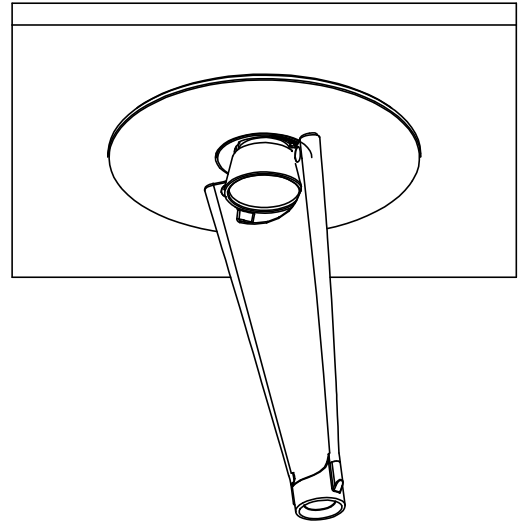


#### 4. Change reflector or PCB Remove reflector

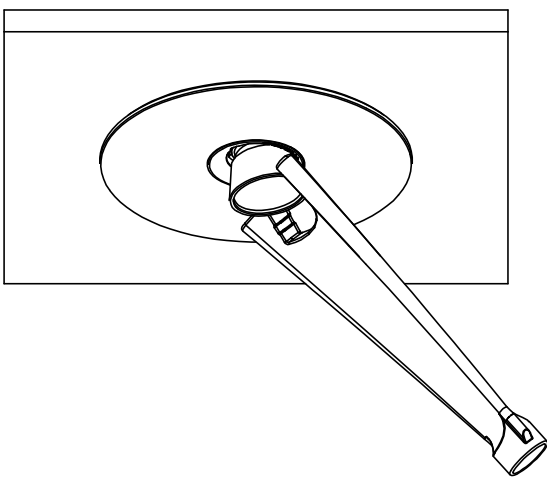
I



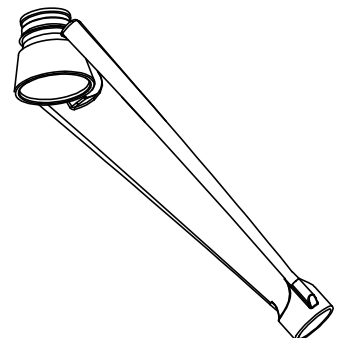
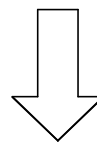
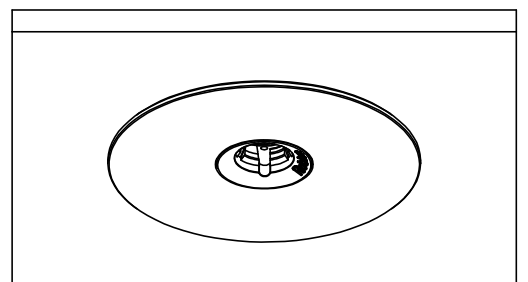
II



III



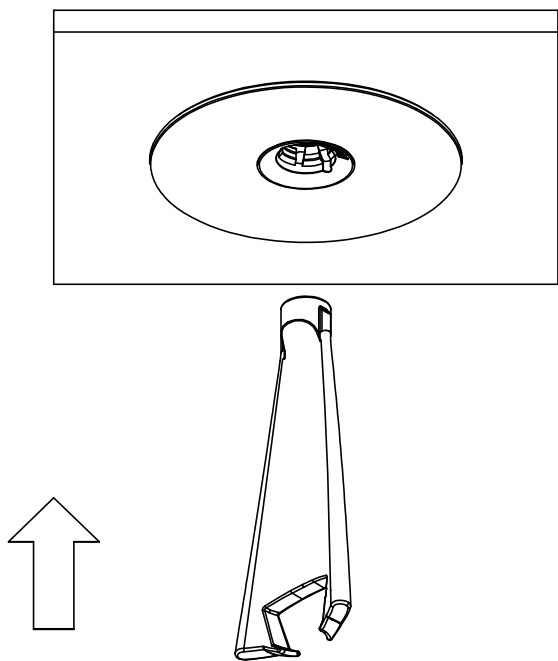
IV



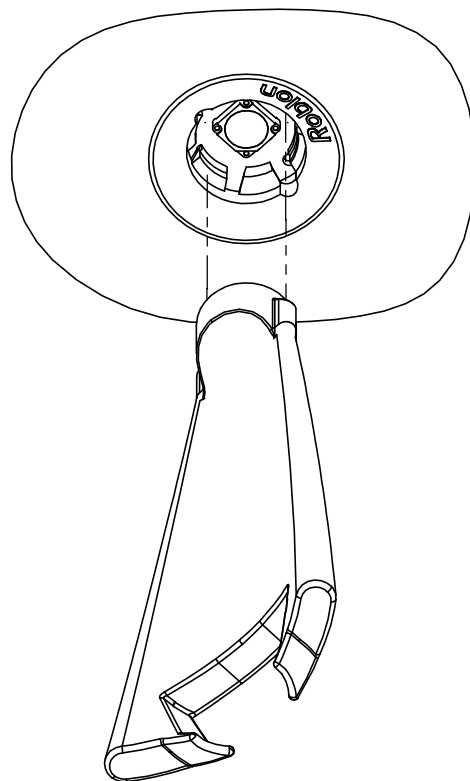
5. Remove reflector fixture.

I Turn off mains power.

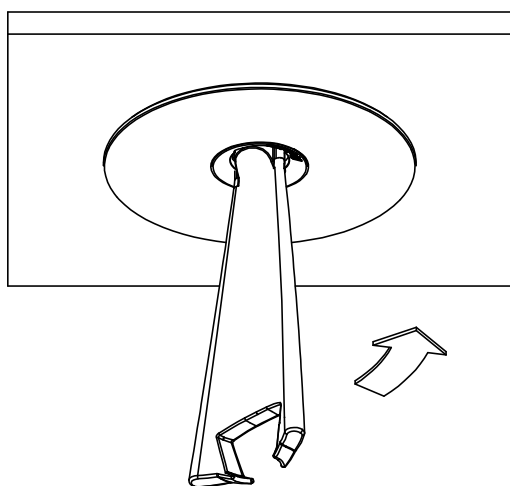
II



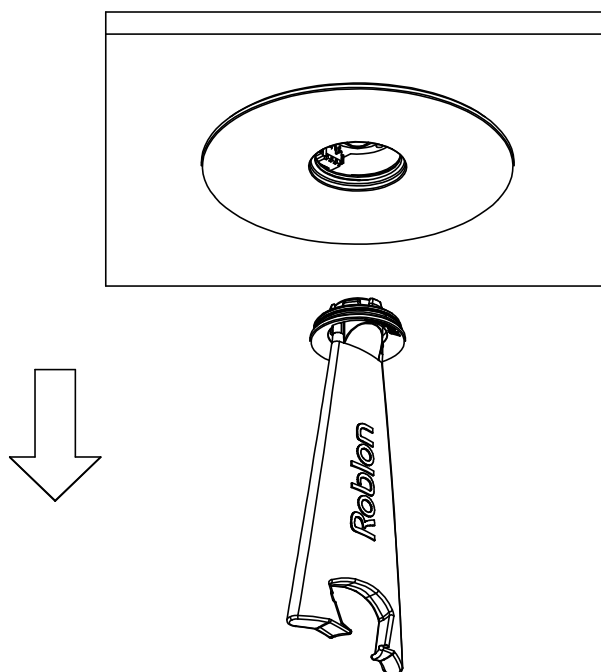
II a



III

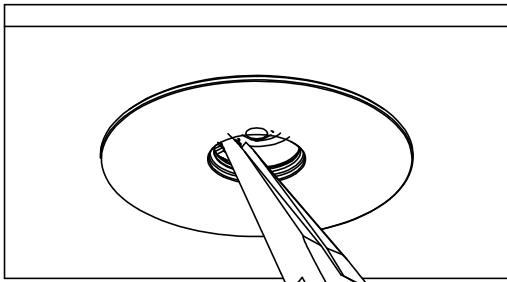


IV

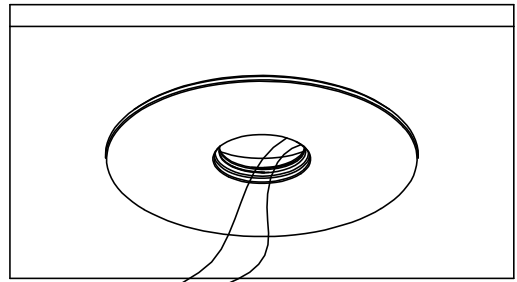


## 6. Remove PCB

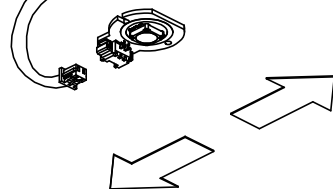
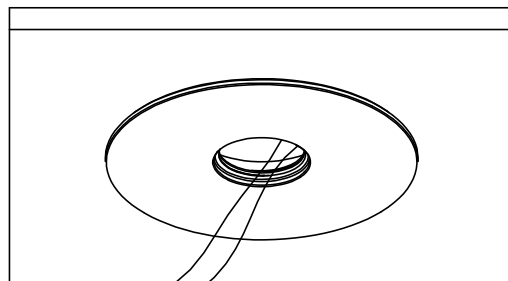
I



II

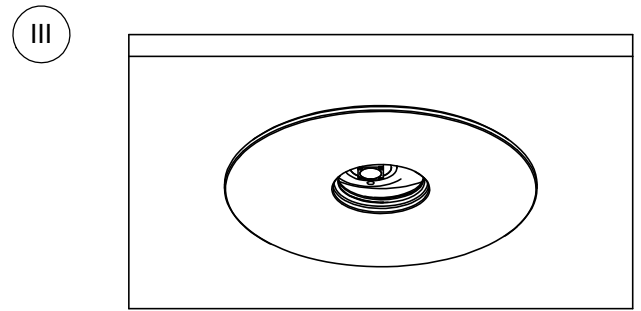
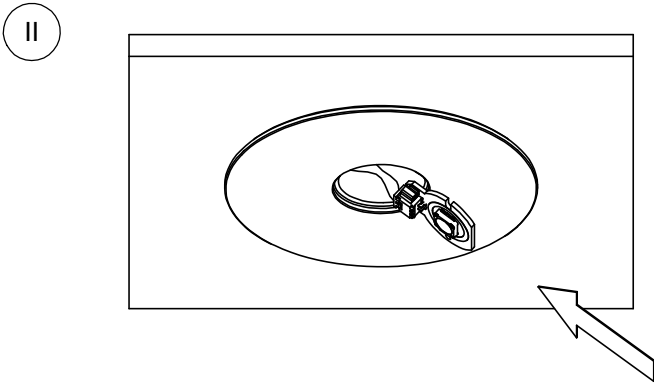
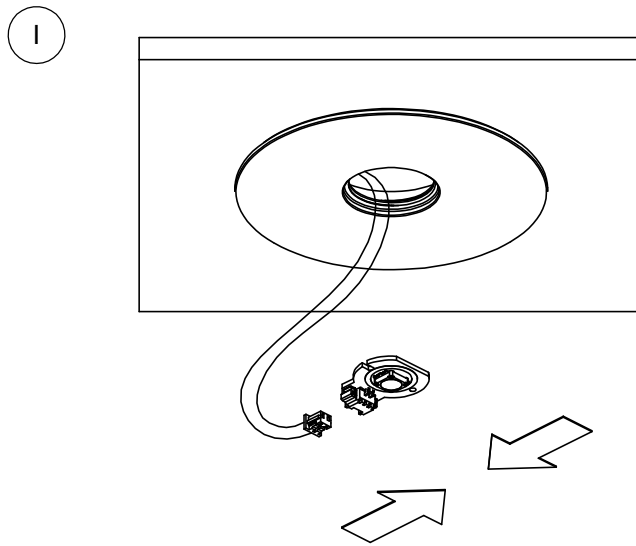


## 7. Disconnect PCB

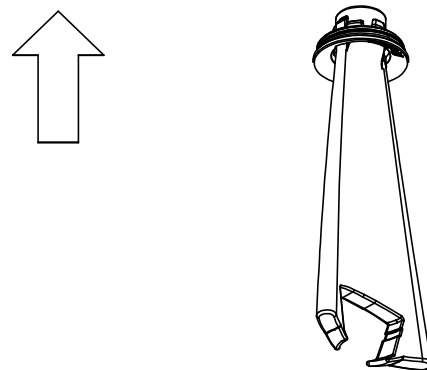
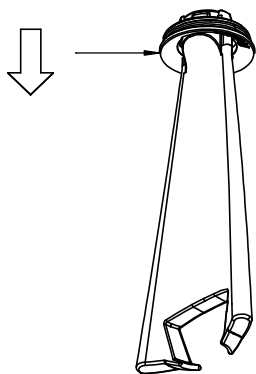
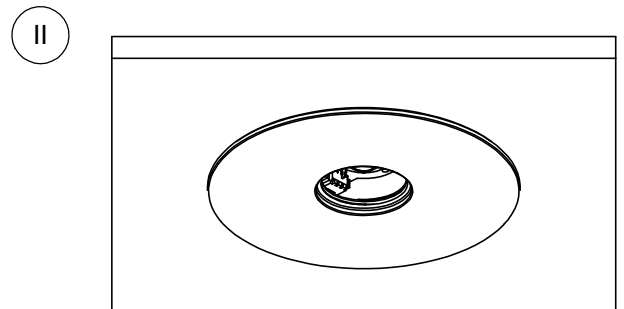
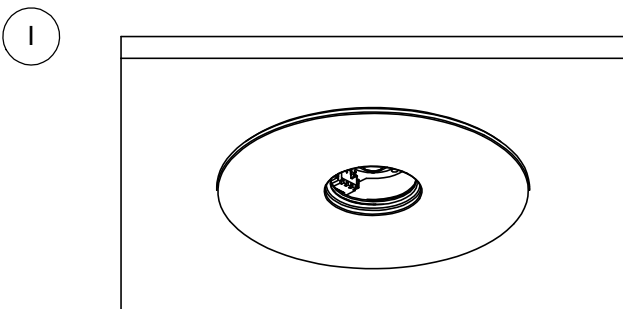




## 8. Replace PCB

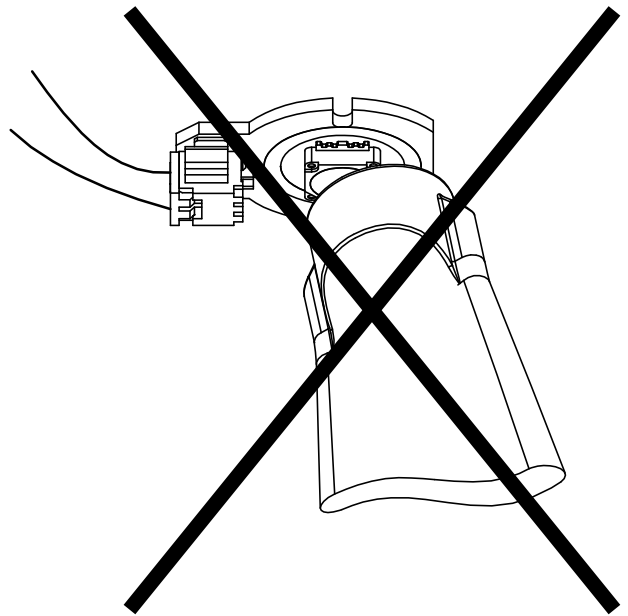
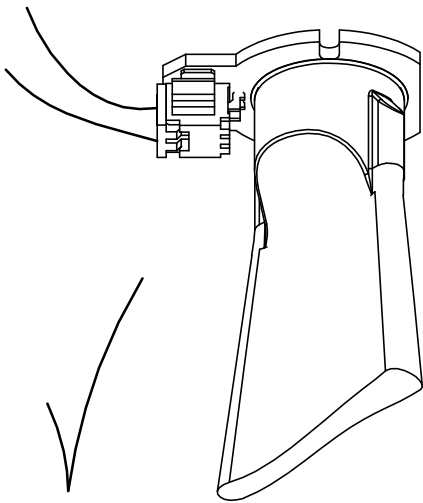
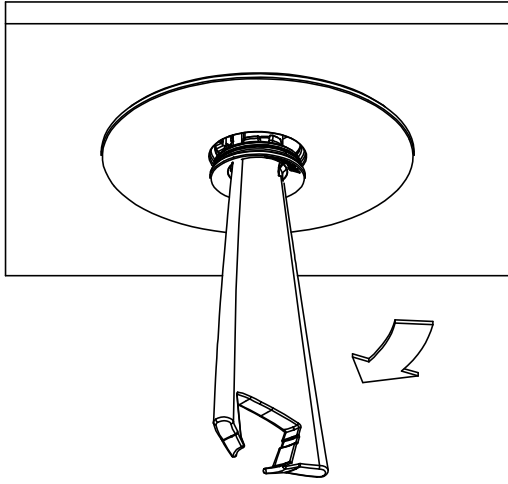


## 9. Place reflector fixture

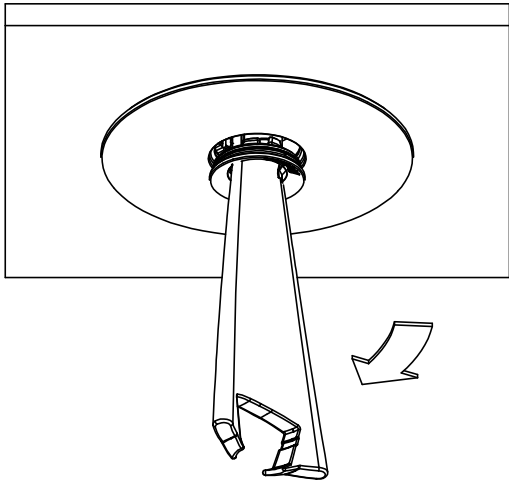


# Place reflector fixture

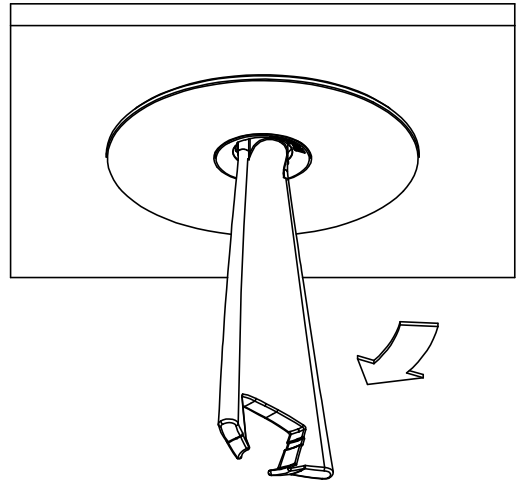
III



IV

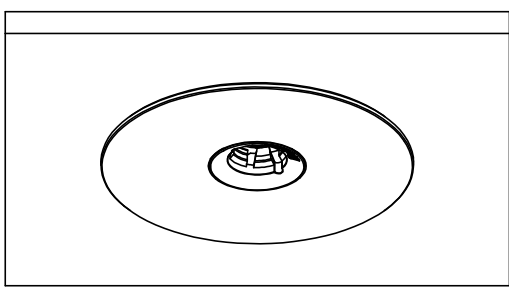


V

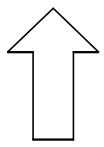
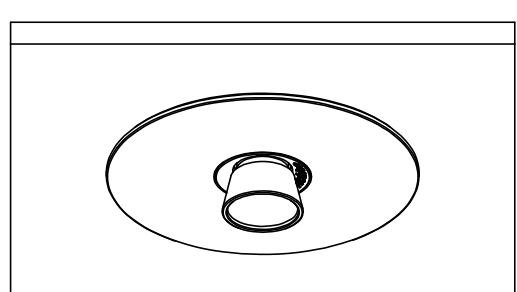


### 10. Insert Reflector

I



II



Roblon accepts no responsibility for possible errors in printed and electronic material. Roblon reserves the right to alter or discontinue products without notice. © 2012, Roblon A/S.

# Roblon

Roblon Lighting  
Nordhavnsvej 1  
9900 Frederikshavn  
Denmark

Tel: +45 9620 3366  
Fax: +45 9620 3396  
info@roblon.com  
www.roblon.com