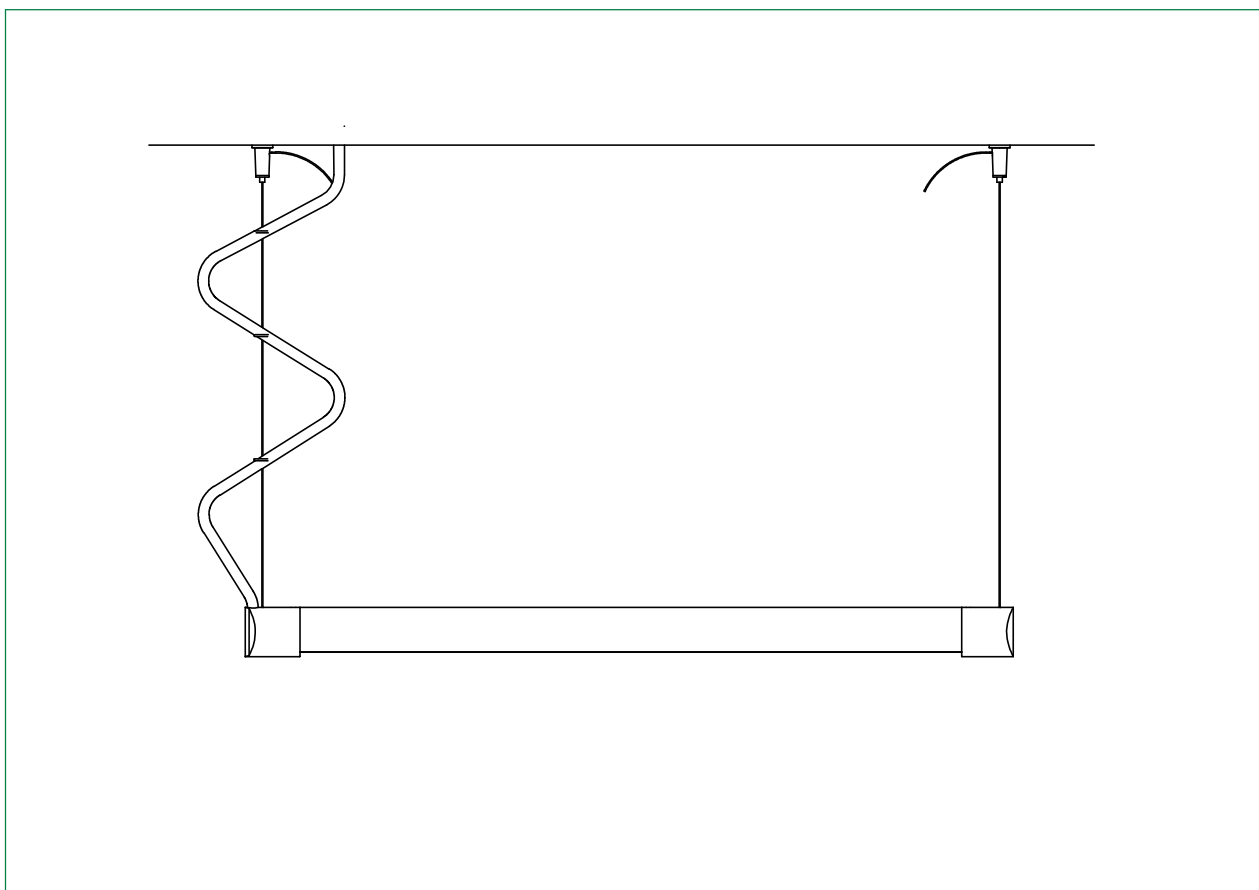


Suspended XPO-led

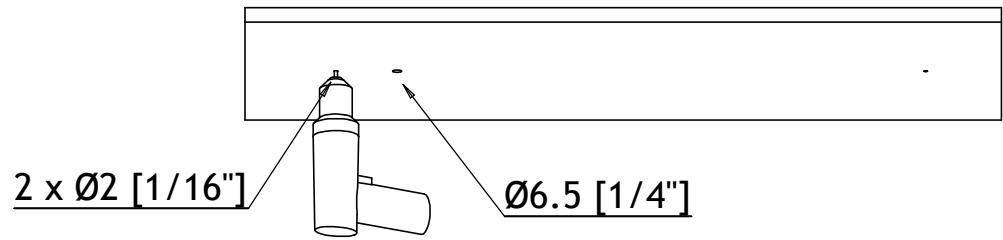
User manual



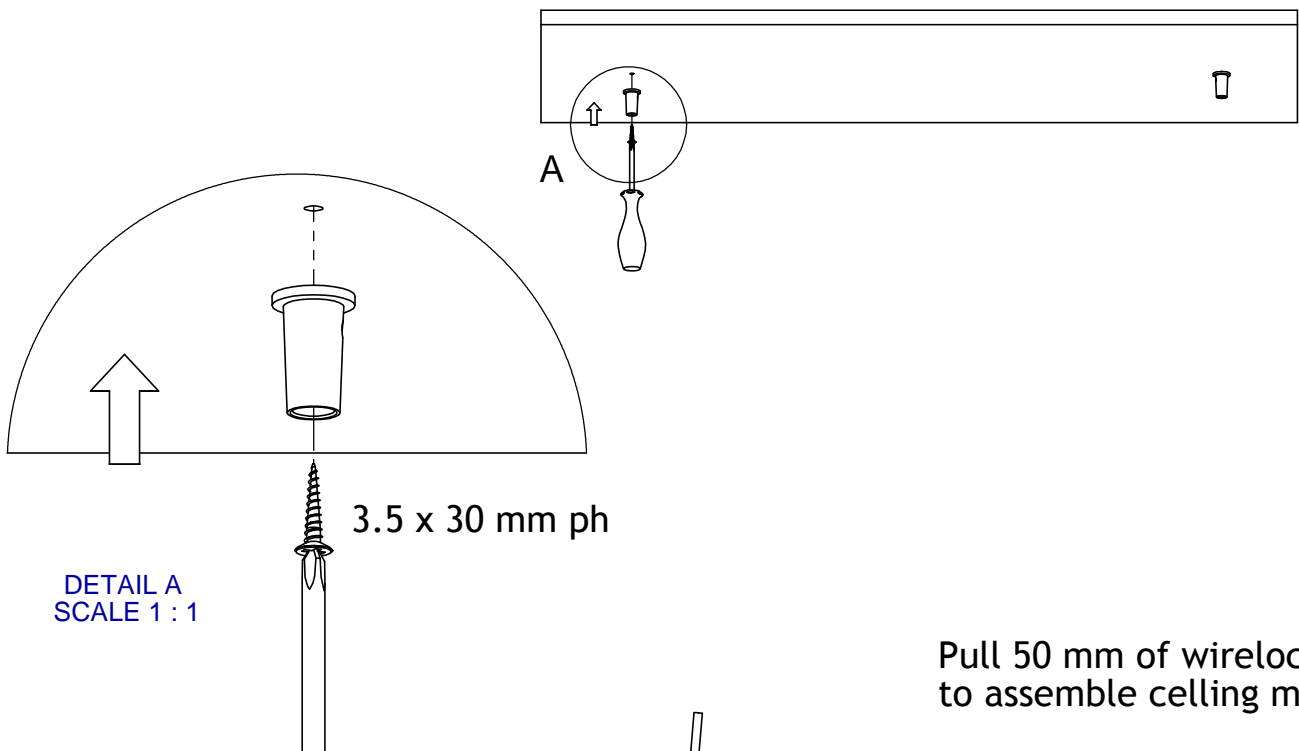
Mounting and installation of the following products.:

Item no.:	1117 0710	Black, custom
	1117 0720	Grey, custom
	1117 5010	Black, 1.2 m
	1117 5020	Grey, 1.2 m

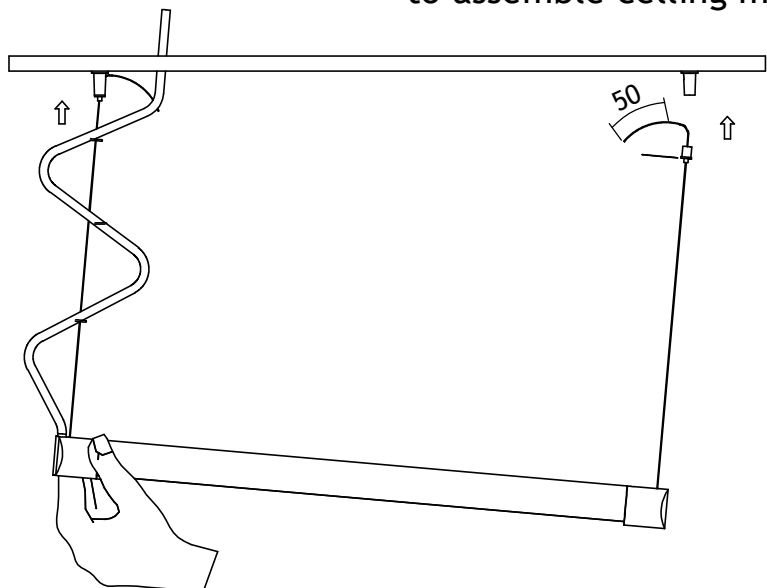
1. Drill



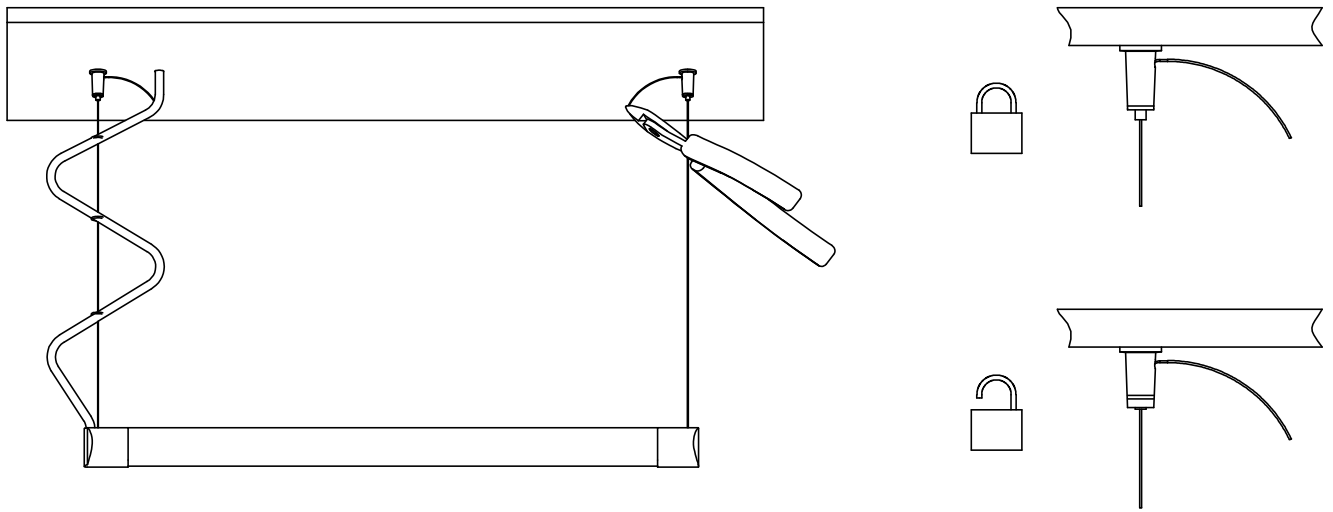
2. Mounting.



Pull 50 mm of wirelock to assemble ceiling mount.



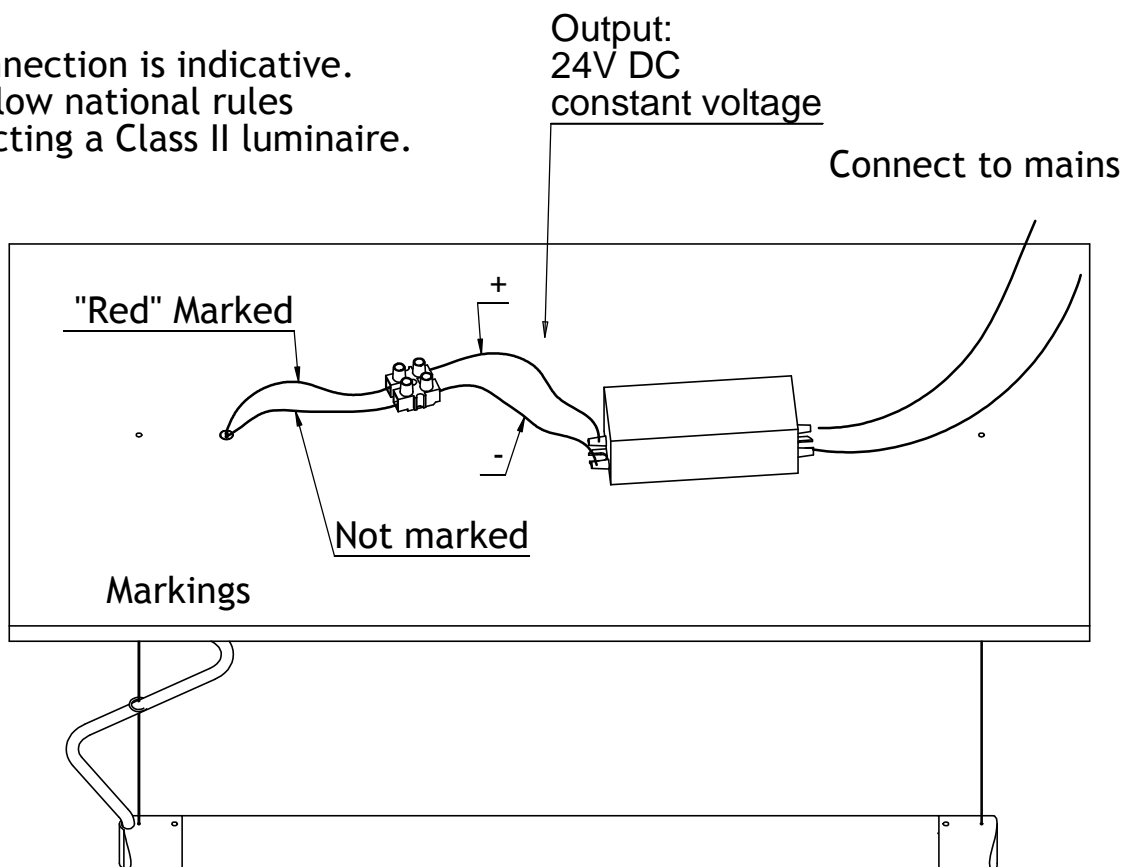
Support fitting while assemble ceiling mount.



Cut of excess wire close to mounting bracket.
Loosend wirelock careful, pull back /down.

3. Connect driver.

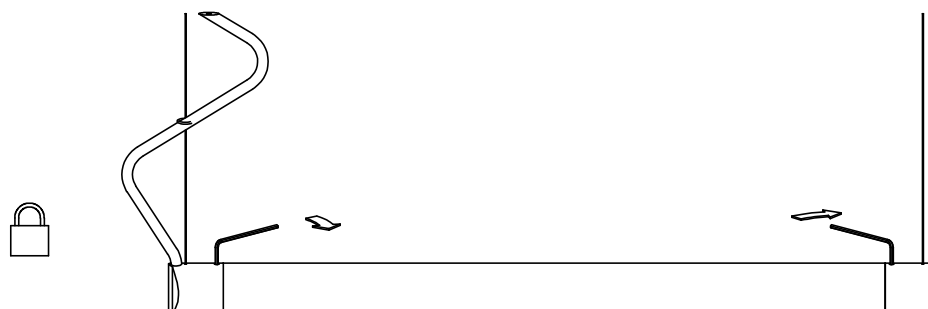
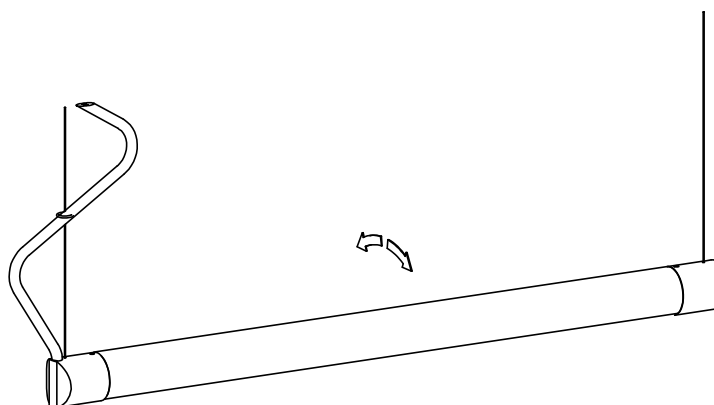
Driver connection is indicative.
Please follow national rules
for connecting a Class II luminaire.



4. Adjust



Do not remove screws, only loosen.



Roblon accepts no responsibility for possible errors in printed and electronic material. Roblon reserves the right to alter or discontinue products without notice. © 2012, Roblon A/S.

Roblon

Roblon Lighting
Nordhavnsvej 1
9900 Frederikshavn
Denmark

Tel: +45 9620 3366
Fax: +45 9620 3396
info@roblon.com
www.roblon.com