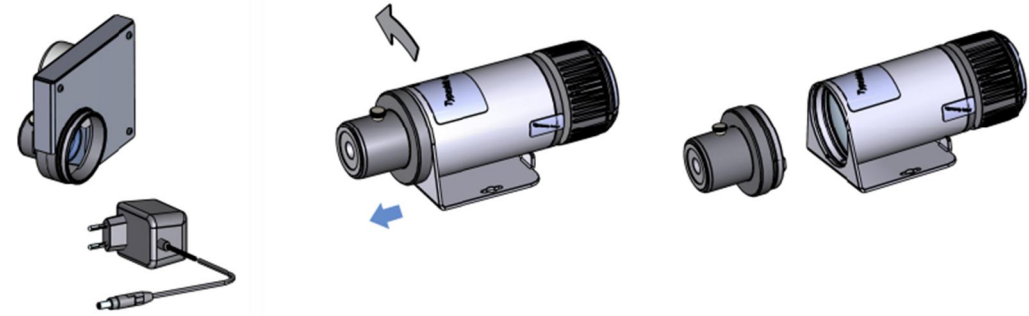


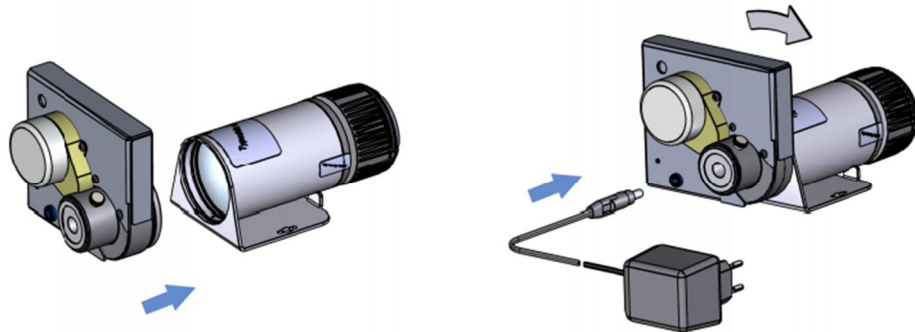
1. Unpack the Colour/Twinkle wheel Kit.

2. Unscrew the plastic front part from the rest of light generator.



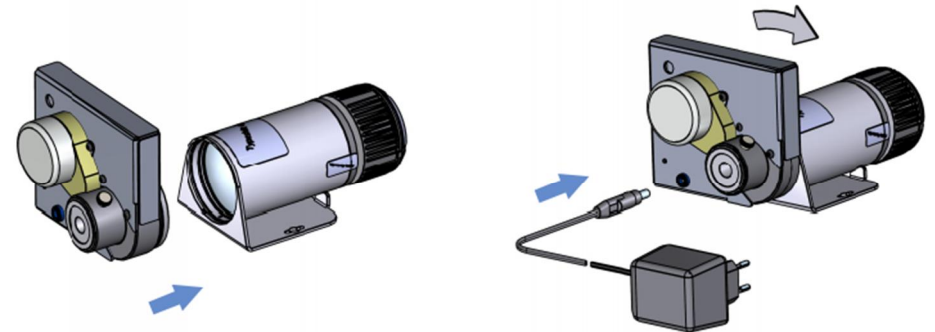
1. Unpack the Colour/Twinkle wheel Kit.

2. Unscrew the plastic front part from the rest of light generator.



3. Mount the colour/twinkle wheel kit on the light generator.

4. Screw the colour/twinkle kit onto the light generator. Plug in the 12V connector and connect the power supply to a wall socket.



3. Mount the colour/twinkle wheel kit on the light generator.

4. Screw the colour/twinkle kit onto the light generator. Plug in the 12V connector and connect the power supply to a wall socket.