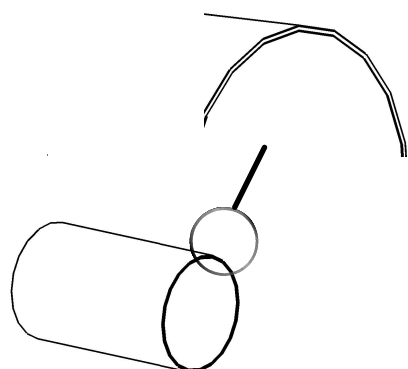
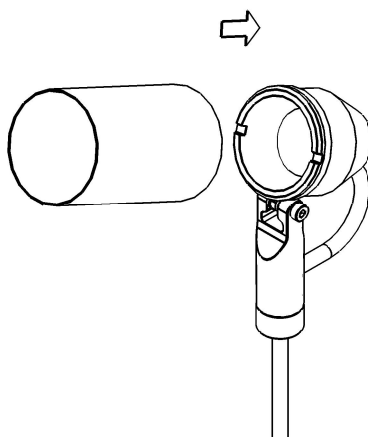


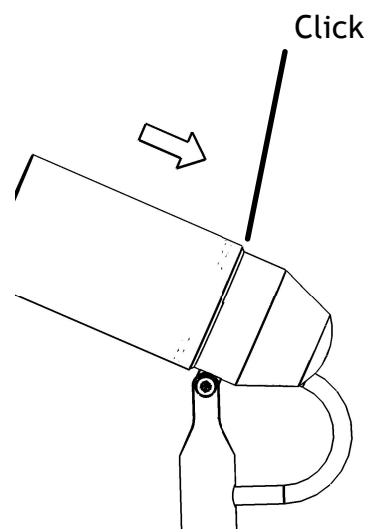
## Mounting of Snoot.



1. The material of the Snoot is thicker in one end than the other.

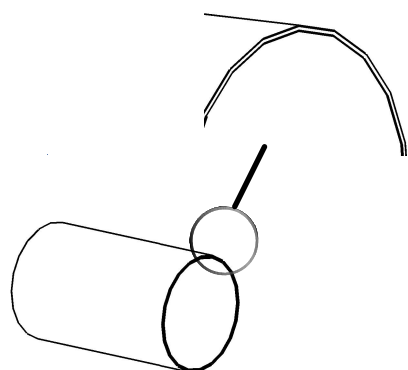


2. Press, with the thickest end first, the Snoot carefully over the fitting....

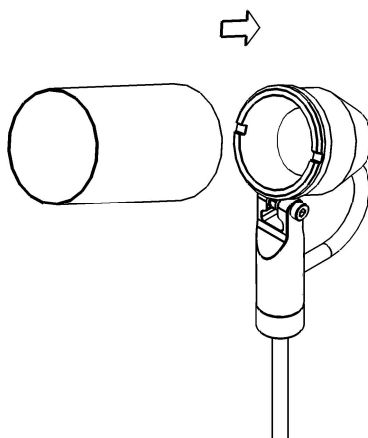


3. ...until it clicks.

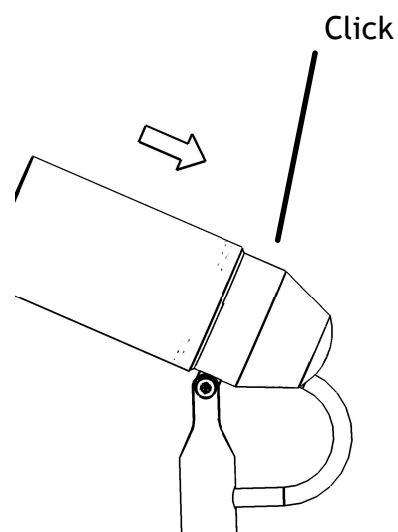
## Mounting of Snoot.



1. The material of the Snoot is thicker in one end than the other.



2. Press, with the thickest end first, the Snoot carefully over the fitting....



3. ...until it clicks.