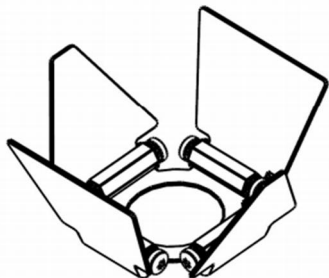


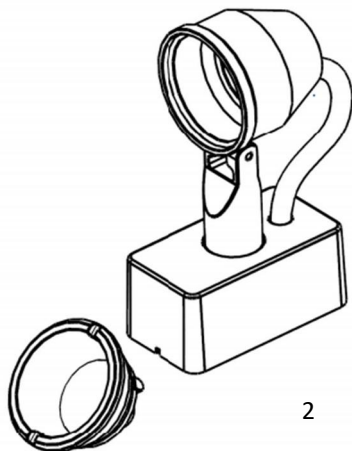
# RobLight

Mounting instruktion for item: 11488012

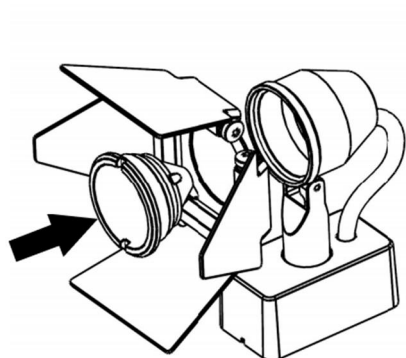
1. Unpack the Barn doors
2. Unscrew the Lens
3. The Barn doors should be mounted between the fitting and the Lens.



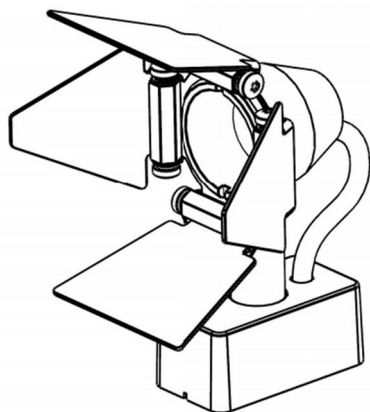
1



2



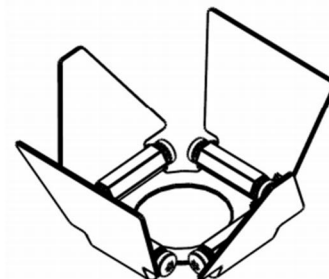
3



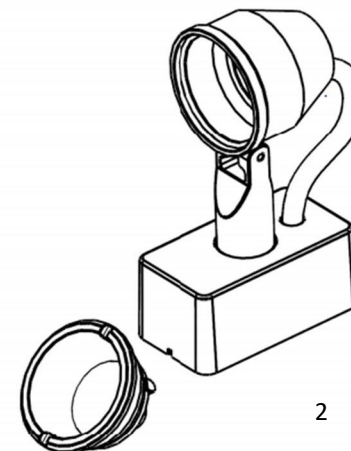
# RobLight

Mounting instruktion for item: 11488012

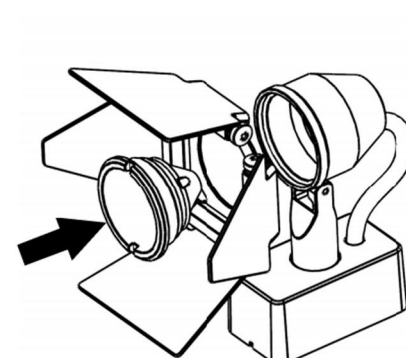
1. Unpack the Barn doors
2. Unscrew the Lens
3. The Barn doors should be mounted between the fitting and the Lens.



1



2



3

