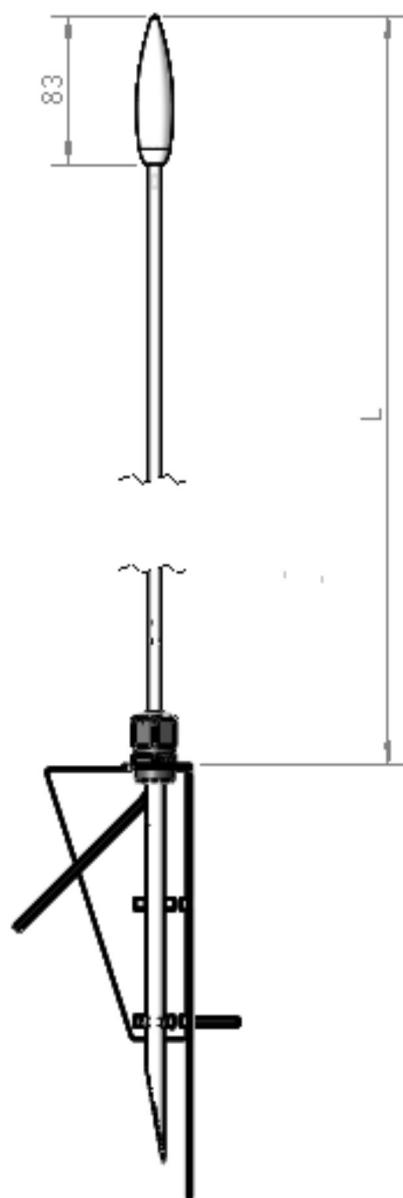


Swaying Reed

Fibre tube



An elegant and very discreet light straw fixture with side radiating fibre illuminating the acrylic tube and the required acrylic top. The Swaying Reed gives a beautiful straw look in both indoor but mainly outdoor environments, where the softly swaying movement of the lit fixture with acrylic tube and side radiating fibre evokes the peace and tranquillity of the breeze blowing through the reed beds.

The very discreet acrylic reed structure and elegant light fixture make it ideal to softly illuminate gardens, green spaces, and open areas where it can be enjoyed in hotel gardens, spas, malls, city centers, etc.

The reeds come with all necessary mounting and connection to fibre harness. The harness must be specified separately due to decisions on lengths.

The design and dimension of this standard range can be modified for a custom product request.

Swaying Reed

- For outdoor and indoor use
- Black/clear
- Height customised on request (Max 1.25 m)
- Developed for outdoor environment
- Fibre optical system
- diff. Top versions on request

IP 68

0,4 Kg

+/- 45°

360°

Swaying Reed

Material	Acrylic, plastic and other
Size W	Ø10 x 1000mm
Colour	Black/Clear (others on req.)
Light point	Ø2.0 mm
Terminat cornection	Ø6mm
Max bending angle	45°
Cleaning	Dry cloth or air

	Item no.
Swaying Reed, acrylic tube & SR, 1.0 m	0313 0495
Accessories	
Ground spike for swaying reed	0313 0468

RobLight

RobLight A/S, Nordhavnsvej 1A, DK-9900 Frederikshavn, T: +45 9244 4888, E: info@rob-light.com, www.rob-light.com

RobLight accepts no responsibility for possible errors in catalogues, brochures and other printed material.
RobLight reserves the right to alter or discontinue its products without notice. © 2019 RobLight A/S